

## F4 125 FB series



### Application

- For supply and exhaust ventilation systems for residential premises.

### Design

- Compatible with Design Concept panels, including glass panels.
- Made of high quality ABS plastic.
- Equipped with a flange for connection to ceiling plenums.
- The diffuser grille is removable for cleaning both the diffuser and the plenum with channels.
- Can be equipped with a 07125 throttle – F4 125 FBR modification.

### Modifications

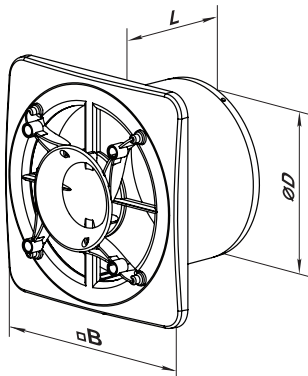
- The F4 125 FBR modification additionally includes a R 125 F4 throttle to control the air flow through the diffuser. The airflow regulator is made of recycled polyurethane foam and is protected from dirt on one side by a foil layer.



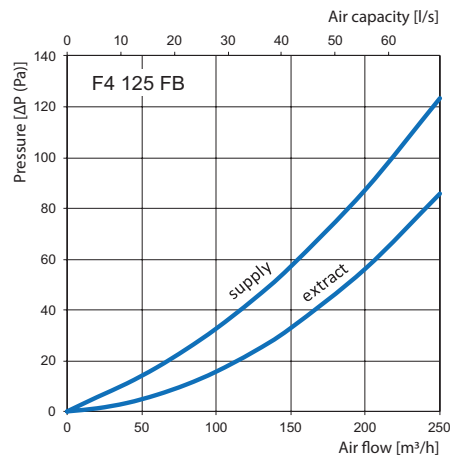
- The diffuser can be optionally equipped with Design Concept decorative panels for decorative design of the ventilation openings.

### Overall dimensions

Model	Dimensions [mm]		
	Ø D	B	L
F4 125 FB	124	165	88

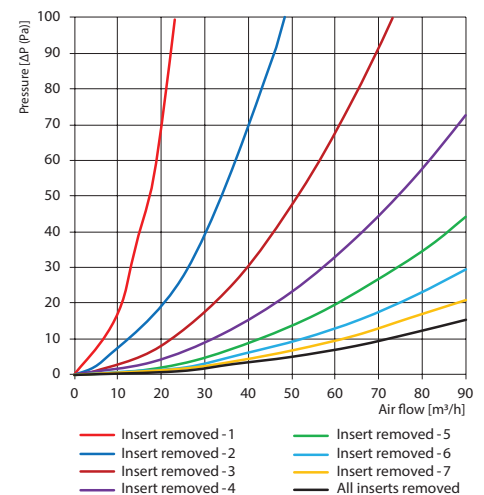


### Aerodynamic characteristics

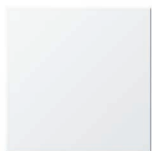


### Throttle round R 125 F4

Throttle resistance depending on the number of removed control inserts



### Compatible panels



FP 180 Plain



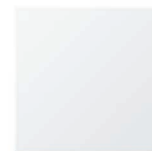
FP 180 Plain red



FP 180 Plain black sapphire



FP 180 Plain metallic



FP 180 Plain wing



FPB 180/125 Disk



FP 180 Aqua



FP 180 Mars



FP 180 Mystery



FPB 180/125 Glas-1



FPB 180/125 Glas-1 red



FPB 180/125 Glas-1 black



FP 180 Plain chrome



FP 180 Plain alumat

The panels are not included in the delivery set and must be ordered separately.