

FlexiVent

Flexible solution for efficient ventilation



CONTENTS

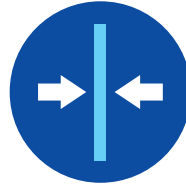
BENEFITS OF THE FLEXIVENT SYSTEM	3
SYSTEM 63	
Ducts	4
Air distribution boxes	5
Connectors	14
Fittings	17
SYSTEM 75	
Ducts	20
Air distribution boxes	21
Connectors	32
Fittings	35
SYSTEM 90	
Ducts	39
Air distribution boxes	40
Connectors	48
Fittings	50
SYSTEM 52	
Ducts	53
Air distribution boxes	54
Connectors	55
Fittings	56
GRILLES	
Floor-mounted grilles	58
Wall-mounted grilles	62
Disc valves	63
Universal plastic grilles	64
ACCESSORIES	65

BENEFITS OF THE FLEXIVENT SYSTEM

Modular **FlexiVent** system saves living space and offers nonstandard design solutions.



- Smooth inner surface makes maintenance easy.



- Compact size. Suitable for nonstandard ceilings with complicated geometry and heated floors.



- No air leakages.



- Quick and fast assembly due to flexible air ducts and versatile fittings. No special tools and qualification required.



- Low noise.



- The material and the form of the semi-rigid air ducts are designed for high external load capacity, i.e. pressure of the concrete floor.



- Pleasant interior look. The ventilation lines are covered with suspended ceilings, floors or walls. Ventilation supply and exhaust grilles are the only visible components.

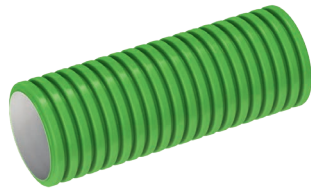
SYSTEM 63

DUCTS

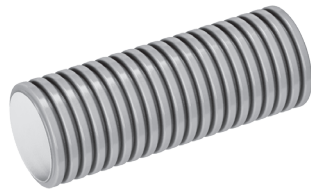
ROUND DUCT
FlexiVent 01635000



ROUND DUCT WITH
ANTIBACTERIAL AND
ANTISTATIC TREATMENT
FlexiVent 0101635000



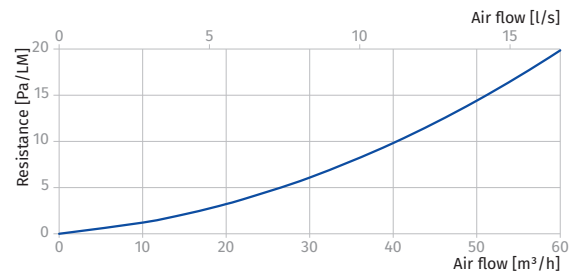
ROUND DUCT WITH
ANTISTATIC TREATMENT
FlexiVent 0102635000



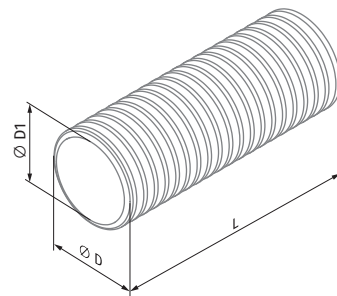
- Made of high-density polyethylene (HDPE).
- The bend radius is 130 mm.
- Circular density 8 kN/m² according to EN ISO 9969.
- Operating temperature: from -20 to +60 °C.
- Smooth inner surface for low air resistance and easy cleaning.

Air speed through the cross-section [m/s]	2	2.5	3
1 duct – air flow [m ³ /h]	15	18	22
2 ducts – air flow [m ³ /h]	29	37	44
3 ducts – air flow [m ³ /h]	44	55	66

Duct length [m]	Duct resistance [Pa]		
2	4.2	5.5	7.5
4	8.4	11.0	14.9
6	12.7	16.5	22.4
8	16.9	22.0	29.8
10	21.1	27.5	37.3
12	25.3	33.0	44.8
14	29.5	38.5	52.2
16	33.8	44.0	59.7
18	38.0	49.5	67.1



Dimensions [mm]	Ø D	Ø D1	L [m]
FlexiVent 01635000	63	51	50
FlexiVent 0101635000	63	51	50
FlexiVent 0102635000	63	51	50



AIR DISTRIBUTION BOXES

METAL AIR DISTRIBUTION BOX FlexiVent 1001125/63x2

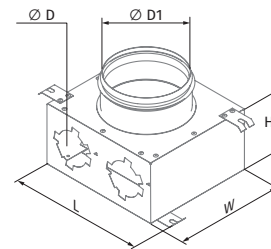
Supply or exhaust ventilation systems of residential spaces. For distribution of air from the ventilation unit through the air ducts.



- Made of aluzinc coated steel.
- The main air duct flange is sealed with a rubber gasket.
- Air duct connection through matching flanges **FlexiVent 0263** (purchased separately).
- Unused openings must be capped with **FlexiVent 030963**.

Air flow [m³/h]	Quantity of connected air ducts	Air supply. Pressure drop [Pa]	Air exhaust. Pressure drop [Pa]
25	1	9.2	10.1
50	2	9.8	10.8

Dimensions [mm]	Ø D	Ø D1	H	L	W
FlexiVent 1001125/63x2	55	124	100	196	178



PLASTIC AIR DISTRIBUTION BOX FlexiVent 1050125/63x3

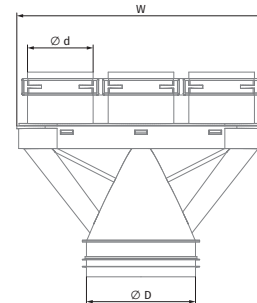
For supply and exhaust systems in residential premises. Distribution of air from the ventilation unit through the ducts.



- Connection diameter: 63 mm.
- Ducts are fastened with **FlexiVent 03** locks, included in the delivery.
- The duct is fitted with **FlexiVent 0563** slip-on seal to retain air-tightness class "C" (purchased separately).
- Made of polypropylene (PP) with thermoplastic elastomer (SEBS).
- Operating temperature: from -20 to +60 °C.

Air capacity [m³/h]	Quantity of connected air ducts	Air supply, air resistance [Pa]	Air exhaust, air resistance [Pa]
25	1	9.2	10.1
50	2	9.8	10.8
75	3	10.8	11.8

Dimensions [mm]	Ø D	Ø d	W
FlexiVent 1050125/63x3	125	63	271



METAL AIR DISTRIBUTION BOX FlexiVent 1001125/63x6

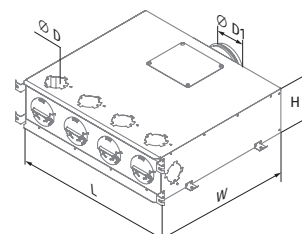
Supply or exhaust ventilation systems of residential spaces. For distribution of air from the ventilation unit through the air ducts.



- Made of aluzinc coated steel.
- The main air duct flange is sealed with a rubber gasket.
- Air duct connection through matching flanges **FlexiVent 0263** (purchased separately).
- Unused openings must be capped with **FlexiVent 030963**.
- Internally sound-insulated.

Air capacity [m³/h]	Quantity of connected air ducts	Air supply, air resistance [Pa]	Air exhaust, air resistance [Pa]
25	1	9.2	10.1
50	2	9.8	10.8
75	3	10.9	12.0
100	4	12.4	13.6
125	5	14.3	15.7
150	6	16.6	18.3

Dimensions [mm]	Ø D	Ø D1	H	L	W
FlexiVent 1001125/63x6	55	124	162	554	470



SYSTEM 63

METAL AIR DISTRIBUTION BOX FlexiVent 1002125/63x6

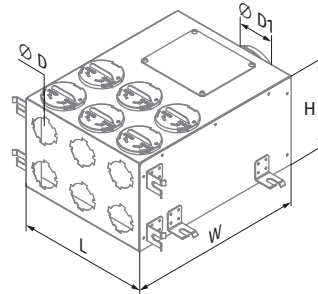
Supply or exhaust ventilation systems of residential spaces. For distribution of air from the ventilation unit through the air ducts.



- Made of aluzinc coated steel.
- The main air duct flange is sealed with a rubber gasket.
- Air duct connection through matching flanges **FlexiVent 0263** (purchased separately).
- Unused openings must be capped with **FlexiVent 030963**.
- Internally sound-insulated.

Air flow [m³/h]	Quantity of connected air ducts	Air supply. Pressure drop [Pa]	Air exhaust. Pressure drop [Pa]
25	1	9.2	10.1
50	2	9.8	10.8
75	3	10.9	12.0
100	4	12.4	13.6
125	5	14.3	15.7
150	6	16.6	18.3

Dimensions [mm]	Ø D	Ø D1	H	L	W
FlexiVent 1002125/63x6	55	124	202	300	400



METAL AIR DISTRIBUTION BOX FlexiVent 1003125/63x6

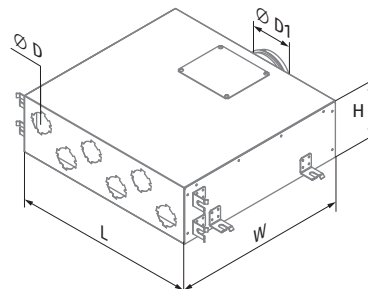
Supply or exhaust ventilation systems of residential spaces. For distribution of air from the ventilation unit through the air ducts.



- Made of aluzinc coated steel.
- The main air duct flange is sealed with a rubber gasket.
- Air duct connection through matching flanges **FlexiVent 0263** (purchased separately).
- Unused openings must be capped with **FlexiVent 030963**.
- Internally sound-insulated.

Air capacity [m³/h]	Quantity of connected air ducts	Air supply, air resistance [Pa]	Air exhaust, air resistance [Pa]
25	1	9.2	10.1
50	2	9.8	10.8
75	3	10.9	12.0
100	4	12.4	13.6
125	5	14.3	15.7
150	6	16.6	18.3

Dimensions [mm]	Ø D	Ø D1	H	L	W
FlexiVent 1003125/63x6	55	124	162	530	500



METAL AIR DISTRIBUTION BOX FlexiVent 1001160/63x8

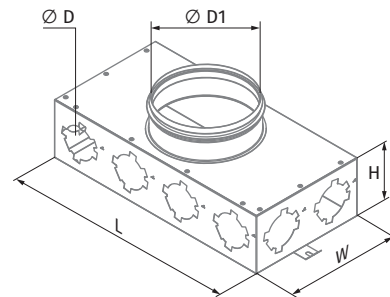
Supply or exhaust ventilation systems of residential spaces. For distribution of air from the ventilation unit through the air ducts.



- Made of aluzinc coated steel.
- The main air duct flange is sealed with a rubber gasket.
- Air duct connection through matching flanges **FlexiVent 0263** (purchased separately).
- Unused openings must be capped with **FlexiVent 030963**.

Air flow [m³/h]	Quantity of connected air ducts	Air supply. Pressure drop [Pa]	Air exhaust. Pressure drop [Pa]
25	1	9.1	10.1
50	2	9.6	10.5
75	3	10.3	11.3
100	4	11.3	12.4
125	5	12.6	13.9
150	6	14.2	15.6
175	7	16.1	17.7
200	8	18.2	20.1

Dimensions [mm]	Ø D	Ø D1	H	L	W
FlexiVent 1001160/63x8	55	159	100	400	200



PLASTIC AIR DISTRIBUTION BOX FlexiVent 1050125/63x9

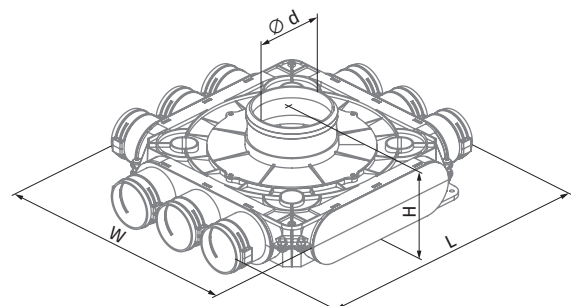
For supply and exhaust systems in residential premises. Distribution of air from the ventilation unit through the ducts.



- Connection diameter: 63 mm.
- Ducts are fastened with **FlexiVent 03** locks, included in the delivery.
- The duct is fitted with **FlexiVent 0563** slip-on seal to retain air-tightness class "C" (purchased separately).
- Made of polypropylene (PP) with thermoplastic elastomer (SEBS).
- Operating temperature: from -20 to +60 °C.

Air flow [m³/h]	Quantity of connected air ducts	Air supply. Pressure drop [Pa]	Air exhaust. Pressure drop [Pa]
25	1	10.4	12.8
50	2	12.2	14.4
75	3	14.4	16.4
100	4	16.5	18.9
125	5	18.5	21.4
150	6	20.6	24.0
175	7	23.1	26.8
200	8	25.5	29.6
225	9	28.0	32.4

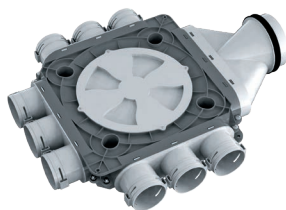
Dimensions [mm]	Ø d (inner)	H	L	W
FlexiVent 1050125/63x9	113	140	464	408



SYSTEM 63

PLASTIC AIR DISTRIBUTION BOX FlexiVent 1051125/63x9

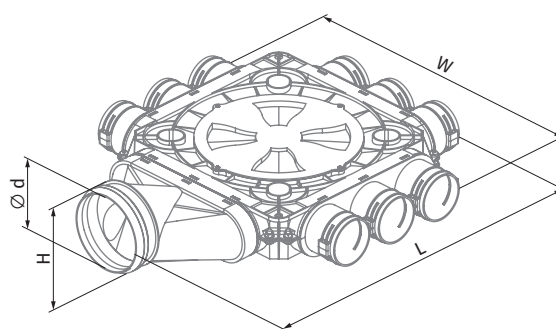
For supply and exhaust systems in residential premises. Distribution of air from the ventilation unit through the ducts.



- Connection diameter: 63 mm.
- Ducts are fastened with **FlexiVent 03** locks, included in the delivery.
- The duct is fitted with **FlexiVent 0563** slip-on seal to retain air-tightness class "C" (purchased separately).
- Made of polypropylene (PP) with thermoplastic elastomer (SEBS).
- Operating temperature: from -20 to +60 °C.

Air flow [m³/h]	Quantity of connected air ducts	Air supply. Pressure drop [Pa]	Air exhaust. Pressure drop [Pa]
25	1	13.5	16.6
50	2	15.9	18.7
75	3	18.7	21.3
100	4	21.4	24.6
125	5	24.1	27.9
150	6	26.8	31.2
175	7	30.0	34.8
200	8	33.2	38.5
225	9	36.4	42.1

Dimensions [mm]	Ø d1 (inner)	H	L	W
FlexiVent 1051125/63x9	113	128	572	464



METAL AIR DISTRIBUTION BOX FlexiVent 1001160/63x10

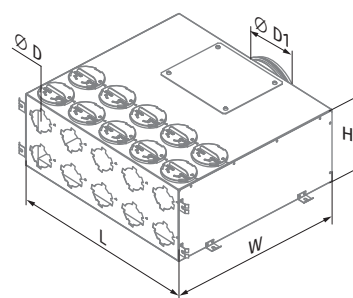
Supply or exhaust ventilation systems of residential spaces. For distribution of air from the ventilation unit through the air ducts.



- Made of aluzinc coated steel.
- The main air duct flange is sealed with a rubber gasket.
- Air duct connection through matching flanges **FlexiVent 0263** (purchased separately).
- Unused openings must be capped with **FlexiVent 030963**.
- Internally sound-insulated.

Air capacity [m³/h]	Quantity of connected air ducts	Air supply, air resistance [Pa]	Air exhaust, air resistance [Pa]
25	1	9.1	10.0
50	2	9.5	10.5
75	3	10.2	11.2
100	4	11.0	12.1
125	5	12.2	13.4
150	6	13.6	15.0
175	7	15.3	16.8
200	8	17.2	18.9
225	9	19.4	21.3
250	10	21.8	24.0

Dimensions [mm]	Ø D	Ø D1	H	L	W
FlexiVent 1001160/63x10	55	159	202	500	500



METAL AIR DISTRIBUTION BOX FlexiVent 1001200/63x10

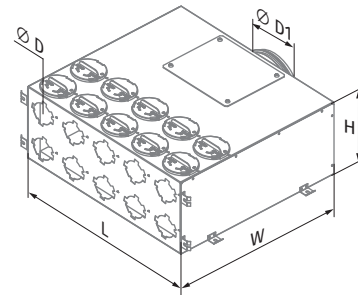
Supply or exhaust ventilation systems of residential spaces. For distribution of air from the ventilation unit through the air ducts.



- Made of aluzinc coated steel.
- The main air duct flange is sealed with a rubber gasket.
- Air duct connection through matching flanges **FlexiVent 0263** (purchased separately).
- Unused openings must be capped with **FlexiVent 030963**.
- Internally sound-insulated.

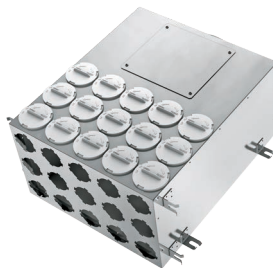
Air capacity [m ³ /h]	Quantity of connected air ducts	Air supply, air resistance [Pa]	Air exhaust, air resistance [Pa]
25	1	9.1	10.0
50	2	9.3	10.3
75	3	9.8	10.8
100	4	10.4	11.4
125	5	11.2	12.3
150	6	12.1	13.3
175	7	13.2	14.5
200	8	14.5	16.0
225	9	16.0	17.6
250	10	17.6	19.4

Dimensions [mm]	Ø D	Ø D1	L	H	W
FlexiVent 1001200/63x10	55	199	500	302	600



METAL AIR DISTRIBUTION BOX FlexiVent 1001200/63x15

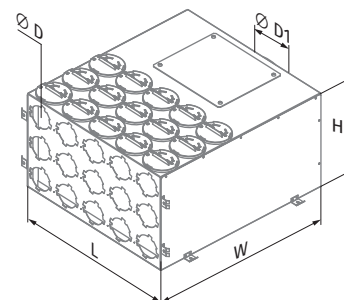
Supply or exhaust ventilation systems of residential spaces. For distribution of air from the ventilation unit through the air ducts.



- Made of aluzinc coated steel.
- The main air duct flange is sealed with a rubber gasket.
- Air duct connection through matching flanges **FlexiVent 0263** (purchased separately).
- Unused openings must be capped with **FlexiVent 030963**.
- Internally sound-insulated.

Air capacity [m ³ /h]	Quantity of connected air ducts	Air supply, air resistance [Pa]	Air exhaust, air resistance [Pa]
25	1	9.1	10.0
50	2	9.3	10.3
75	3	9.8	10.8
100	4	10.4	11.4
125	5	11.2	12.3
150	6	12.1	13.3
175	7	13.2	14.5
200	8	14.5	16.0
225	9	16.0	17.6
250	10	17.6	19.4
275	11	19.4	21.4
300	12	21.4	23.5
325	13	23.6	25.9
350	14	25.9	28.5
375	15	28.4	31.2

Dimensions [mm]	Ø D	Ø D1	H	L	W
FlexiVent 1001200/63x15	55	199	302	500	600



SYSTEM 63

PLASTIC AIR DISTRIBUTION BOX

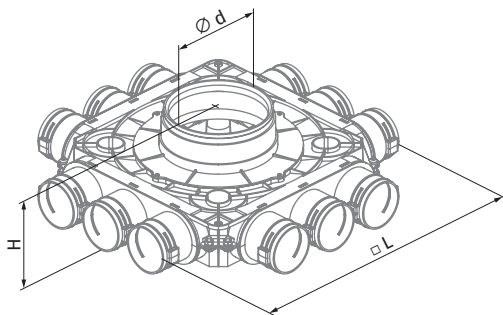
FlexiVent 1050150/63x12
FlexiVent 1050160/63x12
FlexiVent 1050200/63x12



For supply and exhaust systems in residential premises. Distribution of air from the ventilation unit through the ducts.

- Connection diameter: 63 mm.
- Ducts are fastened with **FlexiVent 03** locks, included in the delivery.
- The duct is fitted with **FlexiVent 0563** slip-on seal to retain air-tightness class "C" (purchased separately).
- Made of polypropylene (PP) with thermoplastic elastomer (SEBS).
- Operating temperature: from -20 to +60 °C.

Dimensions [mm]	Ø d1 (inner)	H	L
FlexiVent 1050150/63x12	138	140	464
FlexiVent 1050160/63x12	148	140	464
FlexiVent 1050200/63x12	188	140	464



FlexiVent 1050150/63x12

Air capacity [m³/h]	Quantity of connected air ducts	Air supply, air resistance [Pa]	Air exhaust, air resistance [Pa]
25	1	9.1	10.1
50	2	9.6	10.5
75	3	10.3	11.3
100	4	11.3	12.4
125	5	12.6	13.9
150	6	14.2	15.6
175	7	16.1	17.7
200	8	18.2	20.1
225	9	20.7	22.8
250	10	23.4	25.8
275	11	26.5	29.1
300	12	29.8	32.8

FlexiVent 1050160/63x12

Air capacity [m³/h]	Quantity of connected air ducts	Air supply, air resistance [Pa]	Air exhaust, air resistance [Pa]
25	1	9.1	10.1
50	2	9.6	10.5
75	3	10.3	11.3
100	4	11.3	12.4
125	5	12.6	13.9
150	6	14.2	15.6
175	7	16.1	17.7
200	8	18.2	20.1
225	9	20.7	22.8
250	10	23.4	25.8
275	11	26.5	29.1
300	12	29.8	32.8

FlexiVent 1050200/63x12

Air capacity [m³/h]	Quantity of connected air ducts	Air supply, air resistance [Pa]	Air exhaust, air resistance [Pa]
25	1	9.1	10.0
50	2	9.4	10.4
75	3	9.9	10.9
100	4	10.6	11.7
125	5	11.6	12.7
150	6	12.7	14.0
175	7	14.0	15.4
200	8	15.6	17.1
225	9	17.3	19.1
250	10	19.3	21.2
275	11	21.4	23.6
300	12	23.8	26.2

PLASTIC AIR DISTRIBUTION BOX

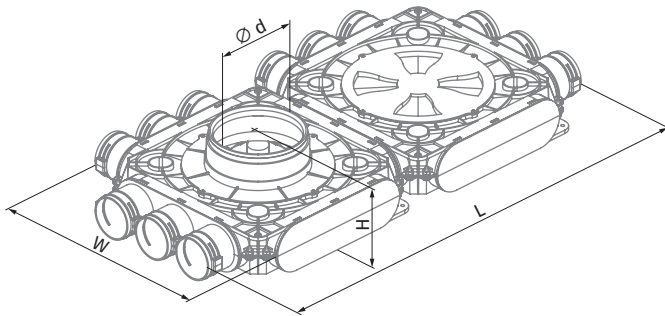
FlexiVent 1051150/63x12
FlexiVent 1051160/63x12
FlexiVent 1051200/63x12



For supply and exhaust systems in residential premises.
Distribution of air from the ventilation unit through the ducts.

- Connection diameter: 63 mm.
- Ducts are fastened with **FlexiVent 03** locks, included in the delivery.
- The duct is fitted with **FlexiVent 0563** slip-on seal to retain air-tightness class "C" (purchased separately).
- Made of polypropylene (PP) with thermoplastic elastomer (SEBS).
- Operating temperature: from -20 to +60 °C.

Dimensions [mm]	Ø d (inner)	H	L	W
FlexiVent 1051150/63x12	138	140	813	408
FlexiVent 1051160/63x12	148	140	813	408
FlexiVent 1051200/63x12	188	140	813	408



FlexiVent 1051150/63x12

Air capacity [m³/h]	Quantity of connected air ducts	Air supply, air resistance [Pa]	Air exhaust, air resistance [Pa]
25	1	9.1	10.1
50	2	9.6	10.5
75	3	10.3	11.3
100	4	11.3	12.4
125	5	12.6	13.9
150	6	14.2	15.6
175	7	16.1	17.7
200	8	18.2	20.1
225	9	20.7	22.8
250	10	23.4	25.8
275	11	26.5	29.1
300	12	29.8	32.8

FlexiVent 1051160/63x12

Air capacity [m³/h]	Quantity of connected air ducts	Air supply, air resistance [Pa]	Air exhaust, air resistance [Pa]
25	1	9.1	10.1
50	2	9.6	10.5
75	3	10.3	11.3
100	4	11.3	12.4
125	5	12.6	13.9
150	6	14.2	15.6
175	7	16.1	17.7
200	8	18.2	20.1
225	9	20.7	22.8
250	10	23.4	25.8
275	11	26.5	29.1
300	12	29.8	32.8

FlexiVent 1051200/63x12

Air capacity [m³/h]	Quantity of connected air ducts	Air supply, air resistance [Pa]	Air exhaust, air resistance [Pa]
25	1	9.1	10.0
50	2	9.4	10.4
75	3	9.9	10.9
100	4	10.6	11.7
125	5	11.6	12.7
150	6	12.7	14.0
175	7	14.0	15.4
200	8	15.6	17.1
225	9	17.3	19.1
250	10	19.3	21.2
275	11	21.4	23.6
300	12	23.8	26.2

SYSTEM 63

PLASTIC AIR DISTRIBUTION BOX

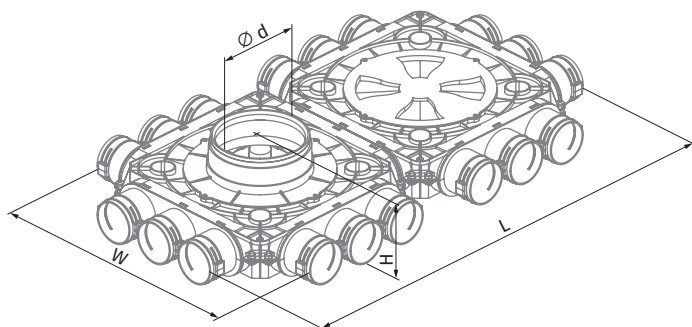
FlexiVent 1050150/63x18
FlexiVent 1050160/63x18
FlexiVent 1050200/63x18



For supply and exhaust systems in residential premises. Distribution of air from the ventilation unit through the ducts.

- Connection diameter: 63 mm.
- Ducts are fastened with **FlexiVent 03** locks, included in the delivery.
- The duct is fitted with **FlexiVent 0563** slip-on seal to retain air-tightness class "C" (purchased separately).
- Made of polypropylene (PP) with thermoplastic elastomer (SEBS).
- Operating temperature: from -20 to +60 °C.

Dimensions [mm]	Ø d (inner)	H	L	W
FlexiVent 1050150/63x18	138	140	813	464
FlexiVent 1050160/63x18	148	140	813	464
FlexiVent 1050200/63x18	188	140	813	464



FlexiVent 1050150/63x18

Air capacity [m³/h]	Quantity of connected air ducts	Air supply, air resistance [Pa]	Air exhaust, air resistance [Pa]
25	1	9.1	10.1
50	2	9.6	10.5
75	3	10.3	11.3
100	4	11.3	12.4
125	5	12.6	13.9
150	6	14.2	15.6
175	7	16.1	17.7
200	8	18.2	20.1
225	9	20.7	22.8
250	10	23.4	25.8
275	11	26.5	29.1
300	12	29.8	32.8
325	13	33.4	36.8
350	14	37.3	41.0
375	15	41.5	45.7
400	16	46.0	50.6
425	17	50.7	55.8
450	18	55.8	61.4

FlexiVent 1050160/63x18

Air capacity [m³/h]	Quantity of connected air ducts	Air supply, air resistance [Pa]	Air exhaust, air resistance [Pa]
25	1	9.1	10.1
50	2	9.6	10.5
75	3	10.3	11.3
100	4	11.3	12.4
125	5	12.6	13.9
150	6	14.2	15.6
175	7	16.1	17.7
200	8	18.2	20.1
225	9	20.7	22.8
250	10	23.4	25.8
275	11	26.5	29.1
300	12	29.8	32.8
325	13	33.4	36.8
350	14	37.3	41.0
375	15	41.5	45.7
400	16	46.0	50.6
425	17	50.7	55.8
450	18	55.8	61.4

FlexiVent 1050200/63x18

Air capacity [m³/h]	Quantity of connected air ducts	Air supply, air resistance [Pa]	Air exhaust, air resistance [Pa]
25	1	9.1	10.0
50	2	9.4	10.4
75	3	9.9	10.9
100	4	10.6	11.7
125	5	11.6	12.7
150	6	12.7	14.0
175	7	14.0	15.4
200	8	15.6	17.1
225	9	17.3	19.1
250	10	19.3	21.2
275	11	21.4	23.6
300	12	23.8	26.2
325	13	26.4	29.0
350	14	29.1	32.1
375	15	32.1	35.3
400	16	35.3	38.8
425	17	38.7	42.6
450	18	42.3	46.5

PLASTIC AIR DISTRIBUTION BOX

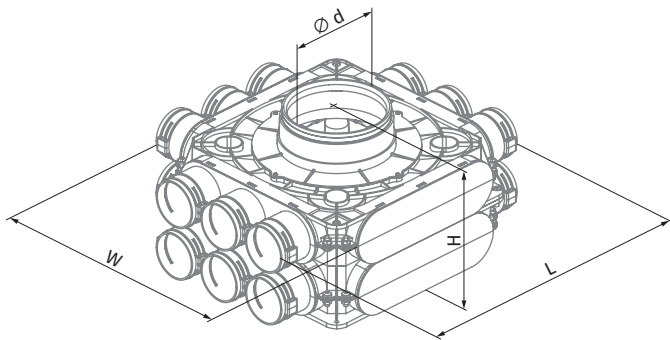
FlexiVent 1051150/63x18
FlexiVent 1051160/63x18
FlexiVent 1051200/63x18



For supply and exhaust systems in residential premises.
Distribution of air from the ventilation unit through the ducts.

- Connection diameter: 63 mm.
- Ducts are fastened with **FlexiVent 03** locks, included in the delivery.
- The duct is fitted with **FlexiVent 0563** slip-on seal to retain air-tightness class "C" (purchased separately).
- Made of polypropylene (PP) with thermoplastic elastomer (SEBS).
- Operating temperature: from -20 to +60 °C.

Dimensions [mm]	Ø d (inner)	H	L	W
FlexiVent 1051150/63x18	138	223	464	408
FlexiVent 1051160/63x18	148	223	464	408
FlexiVent 1051200/63x18	188	223	464	408



FlexiVent 1051150/63x18

Air capacity [m³/h]	Quantity of connected air ducts	Air supply, air resistance [Pa]	Air exhaust, air resistance [Pa]
25	1	9.1	10.1
50	2	9.6	10.5
75	3	10.3	11.3
100	4	11.3	12.4
125	5	12.6	13.9
150	6	14.2	15.6
175	7	16.1	17.7
200	8	18.2	20.1
225	9	20.7	22.8
250	10	23.4	25.8
275	11	26.5	29.1
300	12	29.8	32.8
325	13	33.4	36.8
350	14	37.3	41.0
375	15	41.5	45.7
400	16	46.0	50.6
425	17	50.7	55.8
450	18	55.8	61.4

FlexiVent 1051160/63x18

Air capacity [m³/h]	Quantity of connected air ducts	Air supply, air resistance [Pa]	Air exhaust, air resistance [Pa]
25	1	9.1	10.1
50	2	9.6	10.5
75	3	10.3	11.3
100	4	11.3	12.4
125	5	12.6	13.9
150	6	14.2	15.6
175	7	16.1	17.7
200	8	18.2	20.1
225	9	20.7	22.8
250	10	23.4	25.8
275	11	26.5	29.1
300	12	29.8	32.8
325	13	33.4	36.8
350	14	37.3	41.0
375	15	41.5	45.7
400	16	46.0	50.6
425	17	50.7	55.8
450	18	55.8	61.4

FlexiVent 1051200/63x18

Air capacity [m³/h]	Quantity of connected air ducts	Air supply, air resistance [Pa]	Air exhaust, air resistance [Pa]
25	1	9.1	10.0
50	2	9.4	10.4
75	3	9.9	10.9
100	4	10.6	11.7
125	5	11.6	12.7
150	6	12.7	14.0
175	7	14.0	15.4
200	8	15.6	17.1
225	9	17.3	19.1
250	10	19.3	21.2
275	11	21.4	23.6
300	12	23.8	26.2
325	13	26.4	29.0
350	14	29.1	32.1
375	15	32.1	35.3
400	16	35.3	38.8
425	17	38.7	42.6
450	18	42.3	46.5

SYSTEM 63

CONNECTORS

CEILING-MOUNTED VALVE CONNECTOR

FlexiVent 0812125/63x3

For supply and exhaust systems in residential premises.

Ceiling mounted.

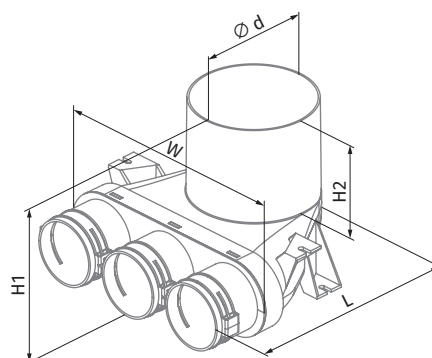
Connecting the ventilation grille to \varnothing 63 mm ducts.



- Connection diameters: 63 and 125 mm.
- Ducts are fastened with **FlexiVent 03** locks, included in the delivery.
- The duct is fitted with **FlexiVent 0563** slip-on seal to retain airtightness class "C" (purchased separately).
- Made of polypropylene (PP) with thermoplastic elastomer (SEBS).
- Operating temperature: from -20 to +60 °C.

Air flow [m ³ /h]	Quantity of connected air ducts	Air supply. Pressure drop [Pa]	Air exhaust. Pressure drop [Pa]
25	1	7.9	8.0
50	2	7.0	6.2
75	3	8.6	8.8

Dimensions [mm]	\varnothing d (inner)	H1	H2	L	W
FlexiVent 0812125/63x3	127	183	100	243	266



FLOOR MOUNTED GRILL CONNECTOR

FlexiVent 0821300x100/63x2

For supply or exhaust ventilation systems of residential spaces.

Floor mounted.

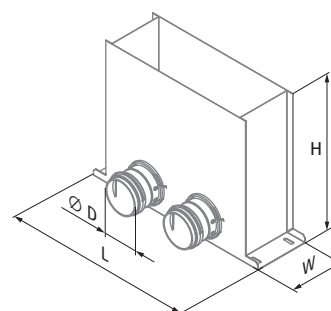
Connecting the floor ventilation grille to FlexiVent ducts.



- The connector is made of metal and fitted with polypropylene spigots.
- Fixation of the FlexiVent air duct with the **FlexiVent 0363** lock ring (included in the delivery).
- The **FlexiVent 0563** sealing ring (available as a special accessory) is used to provide airtightness class "C".

Air flow [m ³ /h]	Quantity of connected air ducts	Air supply. Pressure drop [Pa]	Air exhaust. Pressure drop [Pa]
25	1	11.9	10.5
50	2	12.6	11.5

Dimensions [mm]	\varnothing D	H	L	W
FlexiVent 0821300x100/63x2	72	300	401	115



FLOOR MOUNTED GRILL CONNECTOR

FlexiVent 0821300x100/63x3

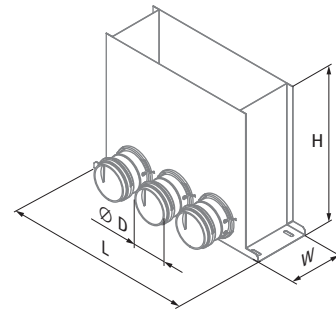
For supply or exhaust ventilation systems of residential spaces.
Floor mounted.
Connecting the floor ventilation grille to FlexiVent ducts.



- The connector is made of metal and fitted with polypropylene spigots.
- Fixation of the FlexiVent air duct with the **FlexiVent 0363** lock ring (included in the delivery).
- The **FlexiVent 0563** sealing ring (available as a special accessory) is used to provide airtightness class "C".

Air flow [m³/h]	Quantity of connected air ducts	Air supply. Pressure drop [Pa]	Air exhaust. Pressure drop [Pa]
25	1	11.5	9.5
50	2	12.0	10.6
75	3	12.5	11.4

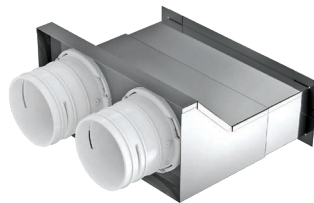
Dimensions [mm]	Ø D	H	L	W
FlexiVent 0821300x100/63x3	72	300	401	115



WALL-MOUNTED GRILL CONNECTOR

FlexiVent 0832200x55/63x2

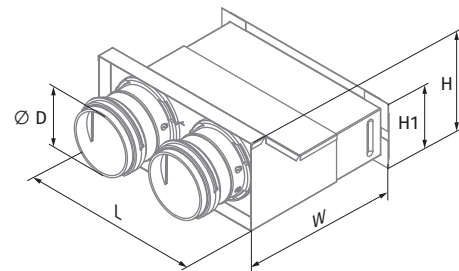
For supply or exhaust ventilation systems of residential spaces.
Wall-mounted.
Connecting the 200x55 wall ventilation grille to FlexiVent ducts.



- The connector is made of metal and fitted with polypropylene spigots (included in the delivery).
- Fixation of the FlexiVent air duct with the **FlexiVent 0363** lock ring (included in the delivery)
- The **FlexiVent 0563** sealing ring (available as a special accessory) is used to provide airtightness class "C".

Air flow [m³/h]	Quantity of connected air ducts	Air supply. Pressure drop [Pa]	Air exhaust. Pressure drop [Pa]
25	1	2.0	1.8
50	2	1.9	1.7

Dimensions [mm]	Ø D	H	H1	L	W
FlexiVent 0832200x55/63x2	72	112	75	204	177

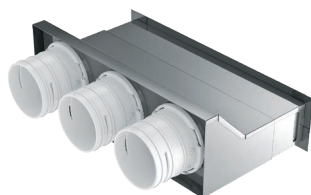


SYSTEM 63

WALL-MOUNTED GRILL CONNECTOR

FlexiVent 0832300x55/63x3

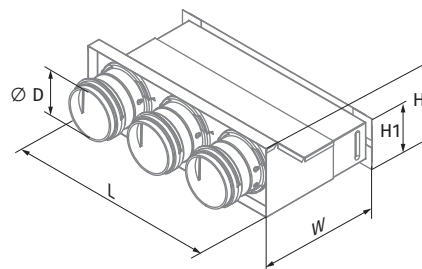
For supply or exhaust ventilation systems of residential spaces.
Wall-mounted.
Connecting the 200x55 wall ventilation grille to FlexiVent ducts.



- The connector is made of metal and fitted with polypropylene spigots (included in the delivery).
- Fixation of the FlexiVent air duct with the **FlexiVent 0363** lock ring (included in the delivery)
- The **FlexiVent 0563** sealing ring (available as a special accessory) is used to provide airtightness class "C".

Air flow [m³/h]	Quantity of connected air ducts	Air supply. Pressure drop [Pa]	Air exhaust. Pressure drop [Pa]
25	1	2.0	1.8
50	2	1.9	1.7
75	3	1.8	1.6

Dimensions [mm]	Ø D	H	H1	L	W
FlexiVent 0832300x55/63x3	72	112	75	304	172



WALL-MOUNTED METAL GRILL CONNECTOR

FlexiVent 0833200x55/63x2

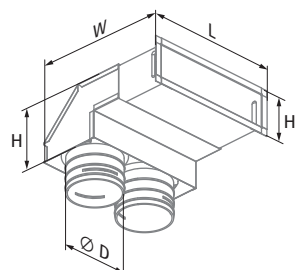
For supply or exhaust ventilation systems of residential spaces.
Wall-mounted.
Connecting the wall ventilation grille to FlexiVent ducts.



- The connector is made of metal and fitted with polypropylene spigots (included in the delivery).
- Fixation of the FlexiVent air duct with the **FlexiVent 0363** lock ring (included in the delivery)
- The **FlexiVent 0563** sealing ring (available as a special accessory) is used to provide airtightness class "C".

Air flow [m³/h]	Quantity of connected air ducts	Air supply. Pressure drop [Pa]	Air exhaust. Pressure drop [Pa]
25	1	1.8	1.8
50	2	2.3	2.0

Dimensions [mm]	Ø D	H	H1	L	W
FlexiVent 0833200x55/63x2	72	110	75	225	237



WALL-MOUNTED METAL GRILL CONNECTOR

FlexiVent 0833300x55/63x3

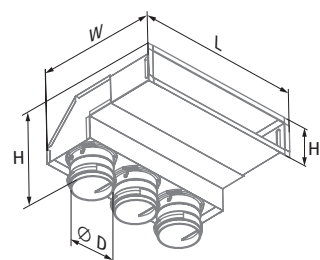
Supply or exhaust ventilation systems of residential spaces.
Wall-mounted.
Connecting the ventilation grille to Ø 63 mm ducts.



- The connector is made of metal and fitted with polypropylene spigots (included in the delivery).
- Fixation of the FlexiVent air duct with the **FlexiVent 0363** lock ring (included in the delivery)
- The **FlexiVent 0563** sealing ring (available as a special accessory) is used to provide airtightness class "C".

Air flow [m³/h]	Quantity of connected air ducts	Air supply. Pressure drop [Pa]	Air exhaust. Pressure drop [Pa]
25	1	1.8	1.8
50	2	2.3	2.0
75	3	2.9	2.2

Dimensions [mm]	Ø D	H	H1	L	W
FlexiVent 0833300x55/63x3	72	159.5	75	325	251



FITTINGS

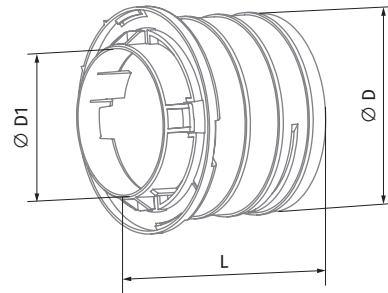
ROUND FLANGE FlexiVent 0263

For connection of the air ducts to the connectors and air distribution boxes.



- Fixation of the FlexiVent air duct with the **FlexiVent 0363** lock ring (included in the delivery).
- The **FlexiVent 0563** sealing ring (available as a special accessory) is used to provide airtightness class "C".
- Made of polypropylene (PP) with thermoplastic elastomer (SEBS).
- Operation temperature from -20 up to +60 °C.

Dimensions [mm]	Ø D	Ø D1	L
FlexiVent 0263	72	54	77



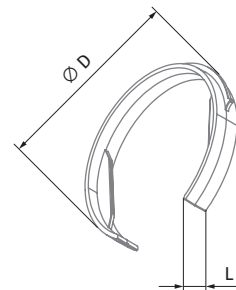
LOCK RING FlexiVent 0363

For fixation of the air duct in the FlexiVent 0263 flange.



- Made of polypropylene (PP) with thermoplastic elastomer (SEBS).
- Operation temperature from -20 up to +60 °C.

Dimensions [mm]	Ø D	L
FlexiVent 0363	79	13



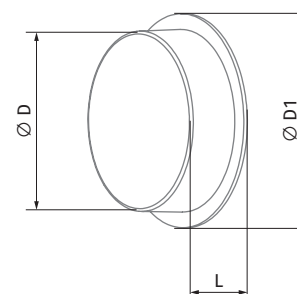
ROUND DUCT CAP FlexiVent 030163

For covering of the duct openings.



- Made of polypropylene (PP) with thermoplastic elastomer (SEBS).
- Operation temperature from -20 up to +60 °C.

Dimensions [mm]	Ø D	Ø D1	L
FlexiVent 030163	51	63	20



SYSTEM 63

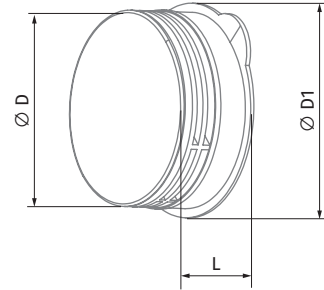
ROUND FLANGE CAP FlexiVent 030263

For covering of unused flanges in the connectors.



- The FlexiVent 0563 sealing ring (included in the delivery) is used to provide airtightness class "C".
- Made of polypropylene (PP) with thermoplastic elastomer (SEBS).
- Operation temperature from -20 up to +60 °C.

Dimensions [mm]	Ø D	Ø D1	L
FlexiVent 030263	69	80	30



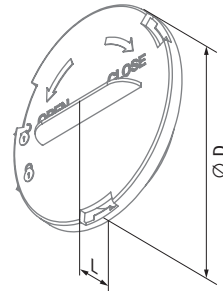
AIR DISTRIBUTION BOX CAP FlexiVent 030963

For covering of unused openings in the air distribution boxes.



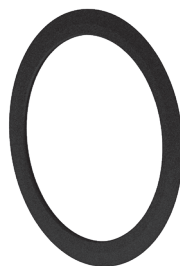
- The FlexiVent 0563 sealing ring (included in the delivery) is used to provide airtightness class "C".
- Made of polypropylene (PP) with thermoplastic elastomer (SEBS).
- Operation temperature from -20 up to +60 °C.

Dimensions [mm]	Ø D	L
FlexiVent 030963	84	29



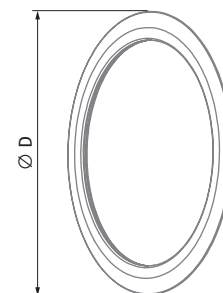
SEALING RING FlexiVent 0563

For sealing of air ducts Ø 63 mm and FlexiVent 030263 caps.



- The FlexiVent 0563 sealing ring is used to provide airtightness class "C".
- Made of polypropylene (PP) with thermoplastic elastomer (SEBS).
- Operation temperature from -20 up to +60 °C.

Dimensions [mm]	Ø D
FlexiVent 0563	67



COUPLING SLEEVE

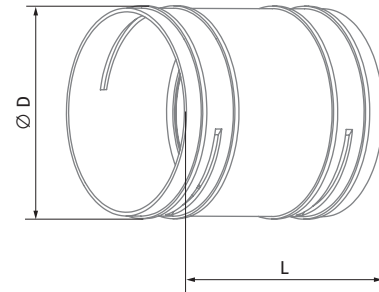
FlexiVent 060163

For air supply or air exhaust systems in residential premises. For connection of the air ducts.



- Fixation of the FlexiVent air duct with the **FlexiVent 0363** lock ring (included in the delivery).
- The **FlexiVent 0563** sealing ring (available as a special accessory) is used to provide airtightness class "C".
- Made of polypropylene (PP) with thermoplastic elastomer (SEBS).
- Operation temperature from -20 up to +60 °C.

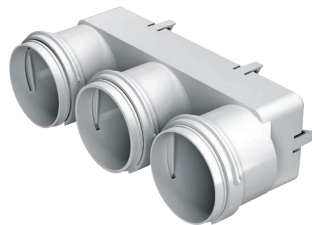
Dimensions [mm]	Ø D	L
FlexiVent 060163	70	95



COUPLING SLEEVE

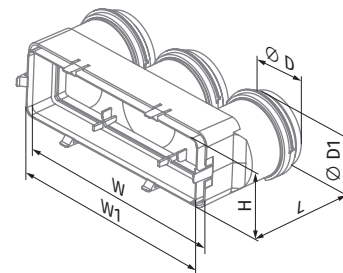
FlexiVent 060163/204x60

For connection of FlexiVent air ducts Ø 63 mm and Plastivent 204x60 mm.



- Fixation of the FlexiVent duct with the **FlexiVent 0363** lock ring (included in the delivery).
- The **FlexiVent 0563** sealing ring (available as a special accessory) is used to provide airtightness class "C".
- Made of polypropylene (PP) with thermoplastic elastomer (SEBS).
- Operation temperature from -20 up to +60 °C.

Dimensions [mm]	Ø D	Ø D1	H	L	W	W1
FlexiVent 060163/204x60	72	79	60	104	217	204



AIR FLOW RESTRICTOR

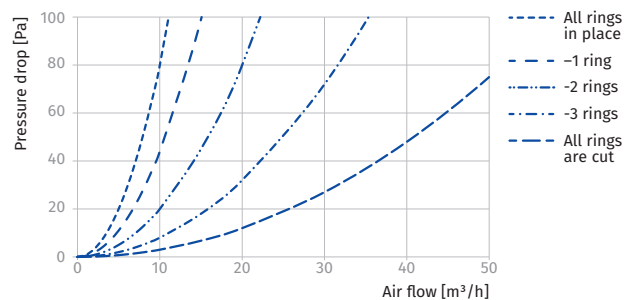
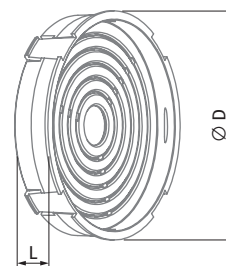
FlexiVent 0763

Supply or exhaust ventilation systems of residential spaces. Adjusting the air flow in the duct.



- Inserted in the **FlexiVent 0263** flanges from inside of the **FlexiVent** air distribution box. Cut away unnecessary rings for air flow regulation.
- Made of polypropylene (PP) with thermoplastic elastomer (SEBS).
- Operation temperature from -20 up to +60 °C.

Dimensions [mm]	Ø D	L
FlexiVent 0763	50	14



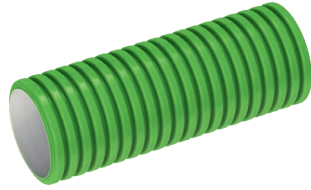
SYSTEM 75

DUCTS

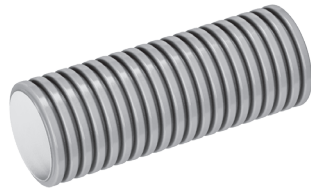
ROUND DUCT
FlexiVent 01755000



ROUND DUCT WITH
ANTIBACTERIAL AND
ANTISTATIC TREATMENT
FlexiVent 0101755000



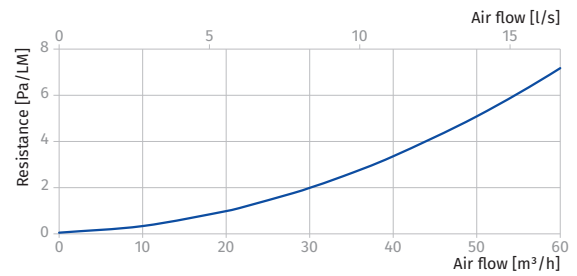
ROUND DUCT WITH
ANTISTATIC TREATMENT
FlexiVent 0102755000



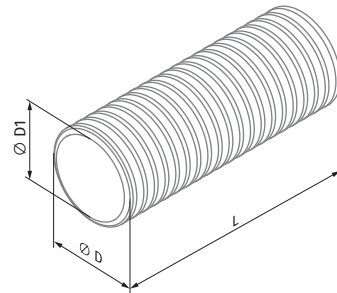
- Made of high-density polyethylene (HDPE).
- The bend radius is 150 mm.
- Circular density 8 kN/m² according to EN ISO 9969.
- Operating temperature: from -20 to +60 °C.
- Smooth inner surface for low air resistance and easy cleaning.

Air speed through the cross-section [m/s]	2	2.5	3
1 duct – air flow [m ³ /h]	22	28	34
2 ducts – air flow [m ³ /h]	45	56	67

Duct length [m]	Duct resistance [Pa]		
2	2.3	3.5	5.0
4	4.6	7.0	10.0
6	6.9	10.6	15.0
8	9.3	14.1	20.0
10	11.6	17.6	24.9
12	13.9	21.1	29.9
14	16.2	24.7	34.9
16	18.5	28.2	39.9
18	20.8	31.7	44.9



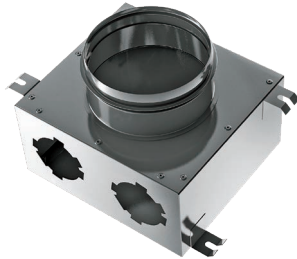
Dimensions [mm]	Ø D	Ø D1	L [m]
FlexiVent 01755000	75	63	50
FlexiVent 0101755000	75	63	50
FlexiVent 0102755000	75	63	50



AIR DISTRIBUTION BOXES

METAL AIR DISTRIBUTION BOX FlexiVent 1001125/75x2

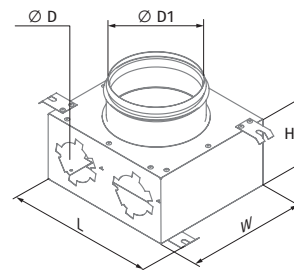
Supply or exhaust ventilation systems of residential spaces. For distribution of air from the ventilation unit through the air ducts.



- Made of aluzinc coated steel.
- The main air duct flange is sealed with a rubber gasket.
- Air duct connection through matching flanges **FlexiVent 0275** (purchased separately).
- Unused openings must be capped with **FlexiVent 030975**.

Air capacity [m³/h]	Quantity of connected air ducts	Air supply, air resistance [Pa]	Air exhaust, air resistance [Pa]
30	1	4.3	4.7
60	2	5.1	5.6

Dimensions [mm]	Ø D	Ø D1	H	L	W
FlexiVent 1001125/75x2	67	124	100	196	178



PLASTIC AIR DISTRIBUTION BOX FlexiVent 1050125/75x2

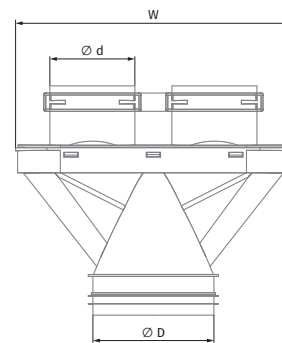
For supply and exhaust systems in residential premises. Distribution of air from the ventilation unit through the ducts.



- Connection diameter: 75 mm.
- Ducts are fastened with **FlexiVent 03** locks, included in the delivery.
- The duct is fitted with **FlexiVent 0575** slip-on seal to retain air-tightness class "C" (purchased separately).
- Made of polypropylene (PP) with thermoplastic elastomer (SEBS).
- Operating temperature: from -20 to +60 °C.

Air capacity [m³/h]	Quantity of connected air ducts	Air supply, air resistance [Pa]	Air exhaust, air resistance [Pa]
30	1	4.3	4.7
60	2	5.1	5.6

Dimensions [mm]	Ø D	Ø d	W
FlexiVent 1050125/75x2	125	75	271



PLASTIC AIR DISTRIBUTION BOX FlexiVent 1050125/75x3

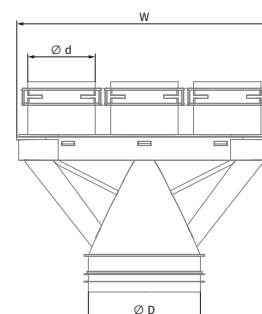
For supply and exhaust systems in residential premises. Distribution of air from the ventilation unit through the ducts.



- Connection diameter: 75 mm.
- Ducts are fastened with **FlexiVent 03** locks, included in the delivery.
- The duct is fitted with **FlexiVent 0575** slip-on seal to retain air-tightness class "C" (purchased separately).
- Made of polypropylene (PP) with thermoplastic elastomer (SEBS).
- Operating temperature: from -20 to +60 °C.

Air capacity [m³/h]	Quantity of connected air ducts	Air supply, air resistance [Pa]	Air exhaust, air resistance [Pa]
30	1	9.6	10.7
60	2	11.5	12.8
90	3	13.8	15.4

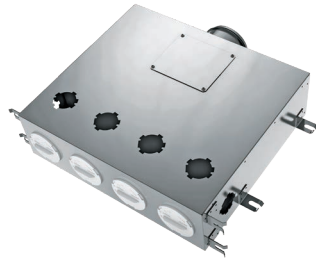
Dimensions [mm]	Ø D	Ø d	W
FlexiVent 1050125/75x3	125	75	276



SYSTEM 75

METAL AIR DISTRIBUTION BOX FlexiVent 1001125/75x6

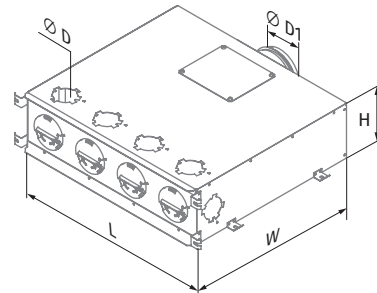
Supply or exhaust ventilation systems of residential spaces. For distribution of air from the ventilation unit through the air ducts.



- Made of aluzinc coated steel.
- The main air duct flange is sealed with a rubber gasket.
- Air duct connection through matching flanges **FlexiVent 0275** (purchased separately).
- Unused openings must be capped with **FlexiVent 030975**.
- Internally sound-insulated.

Air capacity [m ³ /h]	Quantity of connected air ducts	Air supply, air resistance [Pa]	Air exhaust, air resistance [Pa]
30	1	4.3	4.7
60	2	5.2	5.7
90	3	6.7	7.4
120	4	8.9	9.8
150	5	11.6	12.8
180	6	14.9	16.4

Dimensions [mm]	Ø D	Ø D1	H	L	W
FlexiVent 1001125/75x6	67	124	162	554	470



METAL AIR DISTRIBUTION BOX FlexiVent 1002125/75x6

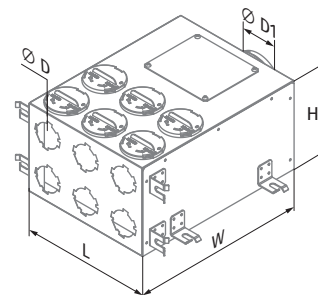
Supply or exhaust ventilation systems of residential spaces. For distribution of air from the ventilation unit through the air ducts.



- Made of aluzinc coated steel.
- The main air duct flange is sealed with a rubber gasket.
- Air duct connection through matching flanges **FlexiVent 0275** (purchased separately).
- Unused openings must be capped with **FlexiVent 030975**.
- Internally sound-insulated.

Air flow [m ³ /h]	Quantity of connected air ducts	Air supply, Pressure drop [Pa]	Air exhaust, Pressure drop [Pa]
30	1	4.3	4.7
60	2	5.2	5.7
90	3	6.7	7.4
120	4	8.9	9.8
150	5	11.6	12.8
180	6	14.9	16.4

Dimensions [mm]	Ø D	Ø D1	H	L	W
FlexiVent 1002125/75x6	67	124	202	300	400



METAL AIR DISTRIBUTION BOX FlexiVent 1003125/75x6

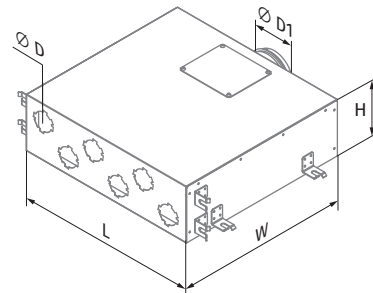
Supply or exhaust ventilation systems of residential spaces. For distribution of air from the ventilation unit through the air ducts.



- Made of aluzinc coated steel.
- The main air duct flange is sealed with a rubber gasket.
- Air duct connection through matching flanges **FlexiVent 0275** (purchased separately).
- Unused openings must be capped with **FlexiVent 030975**.
- Internally sound-insulated.

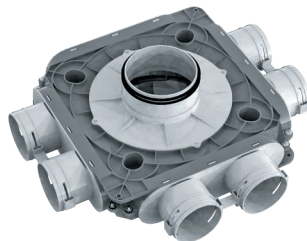
Air capacity [m ³ /h]	Quantity of connected air ducts	Air supply, air resistance [Pa]	Air exhaust, air resistance [Pa]
30	1	4.3	4.7
60	2	5.2	5.7
90	3	6.7	7.4
120	4	8.9	9.8
150	5	11.6	12.8
180	6	14.9	16.4

Dimensions [mm]	Ø D	Ø D1	H	L	W
FlexiVent 1003125/75x6	65	124	162	530	500



PLASTIC AIR DISTRIBUTION BOX FlexiVent 1050125/75x6

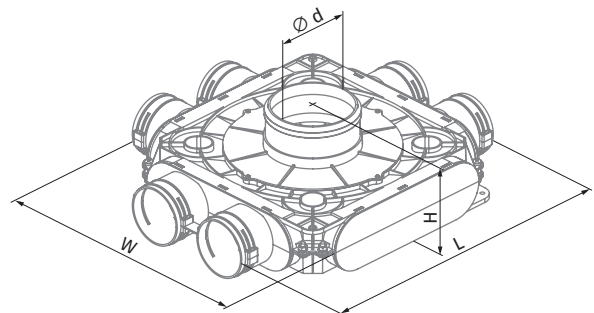
Supply or exhaust ventilation systems of residential spaces. For distribution of air from the ventilation unit through the air ducts.



- Connection diameter: 75 mm.
- Ducts are fastened with **FlexiVent 03** locks, included in the delivery.
- The duct is fitted with **FlexiVent 0575** slip-on seal to retain air-tightness class "C" (purchased separately).
- Made of polypropylene (PP) with thermoplastic elastomer (SEBS).
- Operating temperature: from -20 to +60 °C.

Air flow [m ³ /h]	Quantity of connected air ducts	Air supply, Pressure drop [Pa]	Air exhaust, Pressure drop [Pa]
30	1	4.3	4.8
60	2	5.3	5.8
90	3	7.0	7.6
120	4	9.2	10.2
150	5	12.2	13.4
180	6	15.8	17.4

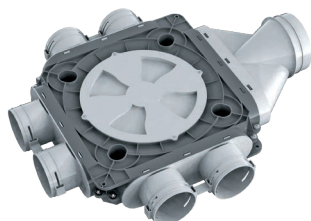
Dimensions [mm]	Ø d (inner)	H	L	W
FlexiVent 1050125/75x6	113	140	468	410



SYSTEM 75

PLASTIC AIR DISTRIBUTION BOX FlexiVent 1051125/75x6

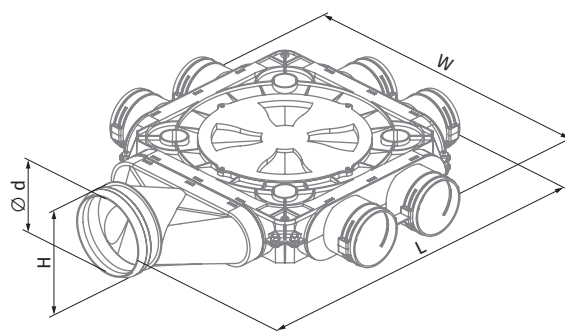
For supply and exhaust systems in residential premises. Distribution of air from the ventilation unit through the ducts.



- Connection diameter: 75 mm.
- Ducts are fastened with **FlexiVent 03** locks, included in the delivery.
- The duct is fitted with **FlexiVent 0575** slip-on seal to retain air-tightness class "C" (purchased separately).
- Made of polypropylene (PP) with thermoplastic elastomer (SEBS).
- Operating temperature: from -20 to +60 °C.

Air flow [m³/h]	Quantity of connected air ducts	Air supply. Pressure drop [Pa]	Air exhaust. Pressure drop [Pa]
30	1	9.6	10.7
60	2	11.5	12.8
90	3	13.8	15.4
120	4	16.5	18.5
150	5	19.8	22.2
180	6	23.8	26.6

Dimensions [mm]	Ø d (inner)	H	L	W
FlexiVent 1051125/75x6	113	128	574	468



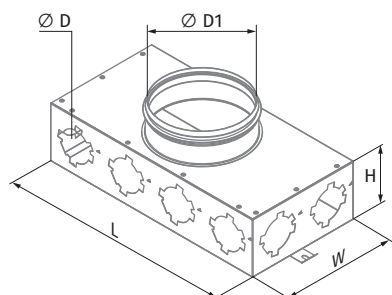
METAL AIR DISTRIBUTION BOX FlexiVent 1001150/75x8 FlexiVent 1001160/75x8

Supply or exhaust ventilation systems of residential spaces. For distribution of air from the ventilation unit through the air ducts.



- Made of aluzinc coated steel.
- The main air duct flange is sealed with a rubber gasket.
- Air duct connection through matching flanges **FlexiVent 0275** (purchased separately).
- Unused openings must be capped with **FlexiVent 030975**.

Dimensions [mm]	Ø D	Ø D1	H	L	W
FlexiVent 150/75x8 01	67	149	100	400	200
FlexiVent 160/75x8 01	65	159	100	400	200



FlexiVent 1001150/75x8

Air capacity [m³/h]	Quantity of connected air ducts	Air supply, air resistance [Pa]	Air exhaust, air resistance [Pa]
30	1	4.2	4.6
60	2	4.8	5.3
90	3	5.9	6.5
120	4	7.3	8.1
150	5	9.2	10.1
180	6	11.5	12.6
210	7	14.2	15.6
240	8	17.3	19.0

FlexiVent 1001160/75x8

Air capacity [m³/h]	Quantity of connected air ducts	Air supply, air resistance [Pa]	Air exhaust, air resistance [Pa]
30	1	4.2	4.6
60	2	4.8	5.3
90	3	5.9	6.5
120	4	7.3	8.1
150	5	9.2	10.1
180	6	11.5	12.6
210	7	14.2	15.6
240	8	17.3	19.0

METAL AIR DISTRIBUTION BOX FlexiVent 1002160/75x8

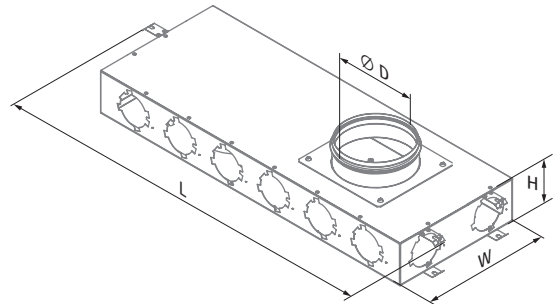
Supply or exhaust ventilation systems of residential spaces. To distribute air from the air handling unit.



- The main air duct flange is sealed with a rubber gasket.
- Air duct connection through matching flanges **FlexiVent 0275** (purchased separately).
- Made of steel with aluzinc coating.

Air capacity [m³/h]	Quantity of connected air ducts	Air supply, air resistance [Pa]	Air exhaust, air resistance [Pa]
30	1	4.2	4.6
60	2	4.8	5.3
90	3	5.9	6.5
120	4	7.3	8.1
150	5	9.2	10.1
180	6	11.5	12.6
210	7	14.2	15.6
240	8	17.3	19.0

Dimensions [mm]	Ø D	H	L	W
FlexiVent 1002160/75x8	165	90	828	290



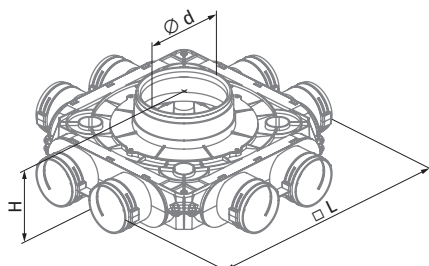
PLASTIC AIR DISTRIBUTION BOX FlexiVent 1050150/75x8 FlexiVent 1050160/75x8 FlexiVent 1050200/75x8

For supply and exhaust systems in residential premises. Distribution of air from the ventilation unit through the ducts.



- Connection diameter: 75 mm.
- Ducts are fastened with **FlexiVent 03** locks, included in the delivery.
- The duct is fitted with **FlexiVent 0575** slip-on seal to retain air-tightness class "C" (purchased separately).
- Made of polypropylene (PP) with thermoplastic elastomer (SEBS).
- Operating temperature: from -20 to +60 °C.

Dimensions [mm]	Ø d1 (inner)	H	L
FlexiVent 1050150/75x8	138	140	468
FlexiVent 1050160/75x8	148	140	468
FlexiVent 1050200/75x8	188	140	468



FlexiVent 1050150/75x8

Air capacity [m³/h]	Quantity of connected air ducts	Air supply, air resistance [Pa]	Air exhaust, air resistance [Pa]
30	1	4.2	4.6
60	2	4.8	5.3
90	3	5.9	6.5
120	4	7.3	8.1
150	5	9.2	10.1
180	6	11.5	12.6
210	7	14.2	15.6
240	8	17.3	19.0

FlexiVent 1050160/75x8

Air capacity [m³/h]	Quantity of connected air ducts	Air supply, air resistance [Pa]	Air exhaust, air resistance [Pa]
30	1	4.2	4.6
60	2	4.8	5.3
90	3	5.9	6.5
120	4	7.3	8.1
150	5	9.2	10.1
180	6	11.5	12.6
210	7	14.2	15.6
240	8	17.3	19.0

FlexiVent 1050200/75x8

Air capacity [m³/h]	Quantity of connected air ducts	Air supply, air resistance [Pa]	Air exhaust, air resistance [Pa]
30	1	4.2	4.6
60	2	4.8	5.3
90	3	5.9	6.5
120	4	7.3	8.1
150	5	9.2	10.1
180	6	11.5	12.6
210	7	14.2	15.6
240	8	17.3	19.0

SYSTEM 75

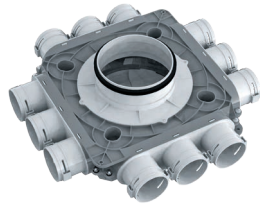
PLASTIC AIR DISTRIBUTION BOX

FlexiVent 1054150/75x12

FlexiVent 1054160/75x12

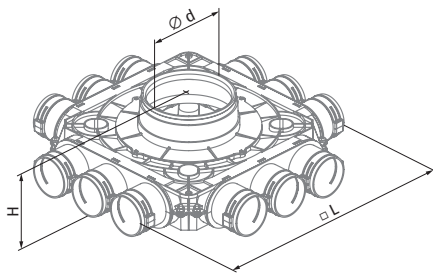
FlexiVent 1054200/75x12

For supply and exhaust systems in residential premises. Distribution of air from the ventilation unit through the ducts.



- Connection diameter: 75 mm.
- Ducts are fastened with **FlexiVent 03** locks, included in the delivery.
- The duct is fitted with **FlexiVent 0575** slip-on seal to retain air-tightness class "C" (purchased separately).
- Made of polypropylene (PP) with thermoplastic elastomer (SEBS).
- Operating temperature: from -20 to +60 °C.

Dimensions [mm]	Ø d1 (inner)	H	L
FlexiVent 1054150/75x12	138	140	468
FlexiVent 1054160/75x12	148	140	468
FlexiVent 1054200/75x12	188	140	468



FlexiVent 1054150/75x12

Air capacity [m³/h]	Quantity of connected air ducts	Air supply, air resistance [Pa]	Air exhaust, air resistance [Pa]
30	1	4.1	4.6
60	2	4.6	5.1
90	3	5.3	5.9
120	4	6.4	7.0
150	5	7.7	8.5
180	6	9.3	10.3
210	7	11.3	12.4
240	8	13.5	14.8
270	9	16.0	17.6
300	10	18.8	20.7
330	11	21.9	24.1
360	12	25.3	27.8

FlexiVent 1054160/75x12

Air capacity [m³/h]	Quantity of connected air ducts	Air supply, air resistance [Pa]	Air exhaust, air resistance [Pa]
30	1	4.1	4.6
60	2	4.6	5.1
90	3	5.3	5.9
120	4	6.4	7.0
150	5	7.7	8.5
180	6	9.3	10.3
210	7	11.3	12.4
240	8	13.5	14.8
270	9	16.0	17.6
300	10	18.8	20.7
330	11	21.9	24.1
360	12	25.3	27.8

FlexiVent 1054200/75x12

Air capacity [m³/h]	Quantity of connected air ducts	Air supply, air resistance [Pa]	Air exhaust, air resistance [Pa]
30	1	4.1	4.6
60	2	4.6	5.1
90	3	5.3	5.9
120	4	6.4	7.0
150	5	7.7	8.5
180	6	9.3	10.3
210	7	11.3	12.4
240	8	13.5	14.8
270	9	16.0	17.6
300	10	18.8	20.7
330	11	21.9	24.1
360	12	25.3	27.8

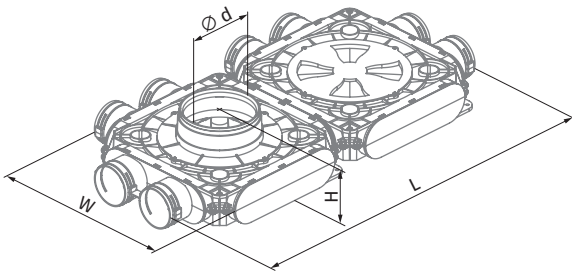
PLASTIC AIR
DISTRIBUTION BOX
FlexiVent 1051150/75x8
FlexiVent 1051160/75x8



For supply and exhaust systems in residential premises. Distribution of air from the ventilation unit through the ducts.

- Connection diameter: 75 mm.
- Ducts are fastened with **FlexiVent 03** locks, included in the delivery.
- The duct is fitted with **FlexiVent 0575** slip-on seal to retain air-tightness class "C" (purchased separately).
- Made of polypropylene (PP) with thermoplastic elastomer (SEBS).
- Operating temperature: from -20 to +60 °C.

Dimensions [mm]	Ø d (inner)	H	L	W
FlexiVent 1051150/75x8	138	140	817	410
FlexiVent 1051160/75x8	148	140	817	410



FlexiVent 1051150/75x8

Air capacity [m³/h]	Quantity of connected air ducts	Air supply, air resistance [Pa]	Air exhaust, air resistance [Pa]
30	1	4.2	4.6
60	2	4.8	5.3
90	3	5.9	6.5
120	4	7.3	8.1
150	5	9.2	10.1
180	6	11.5	12.6
210	7	14.2	15.6
240	8	17.3	19.0

FlexiVent 1051160/75x8

Air capacity [m³/h]	Quantity of connected air ducts	Air supply, air resistance [Pa]	Air exhaust, air resistance [Pa]
30	1	4.2	4.6
60	2	4.8	5.3
90	3	5.9	6.5
120	4	7.3	8.1
150	5	9.2	10.1
180	6	11.5	12.6
210	7	14.2	15.6
240	8	17.3	19.0

SYSTEM 75

METAL AIR DISTRIBUTION BOX

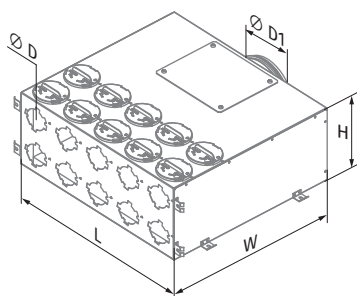
FlexiVent 1001150/75x10
FlexiVent 1001160/75x10
FlexiVent 1001200/75x10

Supply or exhaust ventilation systems of residential spaces. For distribution of air from the ventilation unit through the air ducts.



- Made of aluzinc coated steel.
- The main air duct flange is sealed with a rubber gasket.
- Air duct connection through matching flanges **FlexiVent 0275** (purchased separately).
- Unused openings must be capped with **FlexiVent 030975**.
- Internally sound-insulated.

Dimensions [mm]	Ø D	Ø D1	H	L	W
FlexiVent 1001150/75x10	67	149	202	500	500
FlexiVent 1001160/75x10	67	159	202	500	500
FlexiVent 1001200/75x10	67	199	202	500	500



METAL AIR DISTRIBUTION BOX

FlexiVent 1001160/75x12

Supply or exhaust ventilation systems of residential spaces. For distribution of air from the ventilation unit through the air ducts.



- The main air duct flange is sealed with a rubber gasket.
- Air duct connection through matching flanges **FlexiVent 0275** (purchased separately).
- Made of steel with aluzinc coating.

FlexiVent 1001150/75x10

Air capacity [m³/h]	Quantity of connected air ducts	Air supply, air resistance [Pa]	Air exhaust, air resistance [Pa]
30	1	4.2	4.6
60	2	4.7	5.2
90	3	5.7	6.2
120	4	6.9	7.6
150	5	8.6	9.5
180	6	10.6	11.7
210	7	13.0	14.3
240	8	15.8	17.4
270	9	18.9	20.8
300	10	22.4	24.6

FlexiVent 1001160/75x10

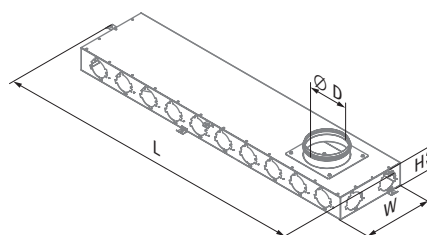
Air capacity [m³/h]	Quantity of connected air ducts	Air supply, air resistance [Pa]	Air exhaust, air resistance [Pa]
30	1	4.2	4.6
60	2	4.7	5.2
90	3	5.7	6.2
120	4	6.9	7.6
150	5	8.6	9.5
180	6	10.6	11.7
210	7	13.0	14.3
240	8	15.8	17.4
270	9	18.9	20.8
300	10	22.4	24.6

FlexiVent 1001200/75x10

Air capacity [m³/h]	Quantity of connected air ducts	Air supply, air resistance [Pa]	Air exhaust, air resistance [Pa]
30	1	4.1	4.5
60	2	4.5	4.9
90	3	5.1	5.6
120	4	6.0	6.6
150	5	7.1	7.8
180	6	8.5	9.3
210	7	10.1	11.1
240	8	11.9	13.1
270	9	14.0	15.4
300	10	16.4	18.0

Air capacity [m³/h]	Quantity of connected air ducts	Air supply, air resistance [Pa]	Air exhaust, air resistance [Pa]
30	1	4.2	4.6
60	2	4.8	5.3
90	3	5.9	6.5
120	4	7.3	8.1
150	5	9.2	10.1
180	6	11.5	12.6
210	7	14.2	15.6
240	8	17.3	19.0
270	9	20.8	22.9
300	10	24.8	27.3
330	11	29.2	32.1
360	12	34.0	37.3

Dimensions [mm]	Ø D	H	L	W
FlexiVent 1001160/75x12	160	107	1307.9	290



PLASTIC AIR DISTRIBUTION BOX

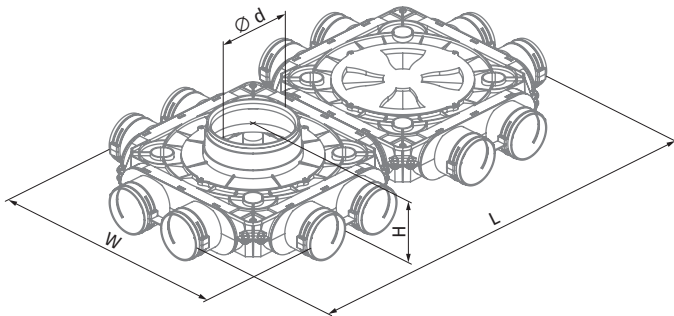
FlexiVent 1050150/75x12
FlexiVent 1050160/75x12
FlexiVent 1050200/75x12



For supply and exhaust systems
in residential premises.
Distribution of air from the
ventilation unit through the ducts.

- Connection diameter: 75 mm.
- Ducts are fastened with **FlexiVent 03** locks, included in the delivery.
- The duct is fitted with **FlexiVent 0575** slip-on seal to retain air-tightness class "C" (purchased separately).
- Made of polypropylene (PP) with thermoplastic elastomer (SEBS).
- Operating temperature: from -20 to +60 °C.

Dimensions [mm]	Ø d (inner)	H	L	W
FlexiVent 1050150/75x12	138	140	817	468
FlexiVent 1050160/75x12	148	140	817	468
FlexiVent 1050200/75x12	188	140	817	468



FlexiVent 1050150/75x12

Air capacity [m³/h]	Quantity of connected air ducts	Air supply, air resistance [Pa]	Air exhaust, air resistance [Pa]
30	1	4.2	4.6
60	2	4.8	5.3
90	3	5.9	6.5
120	4	7.3	8.1
150	5	9.2	10.1
180	6	11.5	12.6
210	7	14.2	15.6
240	8	17.3	19.0
270	9	20.8	22.9
300	10	24.8	27.3
330	11	29.2	32.1
360	12	34.0	37.3

FlexiVent 1050160/75x12

Air capacity [m³/h]	Quantity of connected air ducts	Air supply, air resistance [Pa]	Air exhaust, air resistance [Pa]
30	1	4.2	4.6
60	2	4.8	5.3
90	3	5.9	6.5
120	4	7.3	8.1
150	5	9.2	10.1
180	6	11.5	12.6
210	7	14.2	15.6
240	8	17.3	19.0
270	9	20.8	22.9
300	10	24.8	27.3
330	11	29.2	32.1
360	12	34.0	37.3

FlexiVent 1050200/75x12

Air capacity [m³/h]	Quantity of connected air ducts	Air supply, air resistance [Pa]	Air exhaust, air resistance [Pa]
30	1	4.1	4.6
60	2	4.6	5.1
90	3	5.3	5.9
120	4	6.4	7.0
150	5	7.7	8.5
180	6	9.3	10.3
210	7	11.3	12.4
240	8	13.5	14.8
270	9	16.0	17.6
300	10	18.8	20.7
330	11	21.9	24.1
360	12	25.3	27.8

SYSTEM 75

PLASTIC AIR DISTRIBUTION BOX

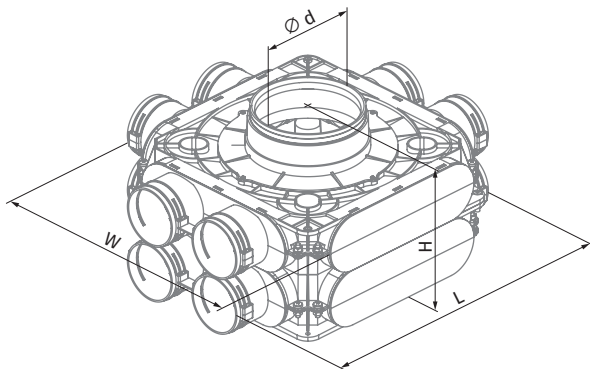
FlexiVent 1051150/75x12
FlexiVent 1051160/75x12
FlexiVent 1051200/75x12



For supply and exhaust systems in residential premises. Distribution of air from the ventilation unit through the ducts.

- Connection diameter: 75 mm.
- Ducts are fastened with **FlexiVent 03** locks, included in the delivery.
- The duct is fitted with **FlexiVent 0575** slip-on seal to retain air-tightness class "C" (purchased separately).
- Made of polypropylene (PP) with thermoplastic elastomer (SEBS).
- Operating temperature: from -20 to +60 °C.

Dimensions [mm]	Ø d (inner)	H	L	W
FlexiVent 1051150/75x12	138	223	468	410
FlexiVent 1051160/75x12	148	223	468	410
FlexiVent 1051200/75x12	188	223	468	410



FlexiVent 1051150/75x12

Air capacity [m³/h]	Quantity of connected air ducts	Air supply, air resistance [Pa]	Air exhaust, air resistance [Pa]
30	1	4.2	4.6
60	2	4.8	5.3
90	3	5.9	6.5
120	4	7.3	8.1
150	5	9.2	10.1
180	6	11.5	12.6
210	7	14.2	15.6
240	8	17.3	19.0
270	9	20.8	22.9
300	10	24.8	27.3
330	11	29.2	32.1
360	12	34.0	37.3

FlexiVent 1051160/75x12

Air capacity [m³/h]	Quantity of connected air ducts	Air supply, air resistance [Pa]	Air exhaust, air resistance [Pa]
30	1	4.2	4.6
60	2	4.8	5.3
90	3	5.9	6.5
120	4	7.3	8.1
150	5	9.2	10.1
180	6	11.5	12.6
210	7	14.2	15.6
240	8	17.3	19.0
270	9	20.8	22.9
300	10	24.8	27.3
330	11	29.2	32.1
360	12	34.0	37.3

FlexiVent 1051200/75x12

Air capacity [m³/h]	Quantity of connected air ducts	Air supply, air resistance [Pa]	Air exhaust, air resistance [Pa]
30	1	4.1	4.6
60	2	4.6	5.1
90	3	5.3	5.9
120	4	6.4	7.0
150	5	7.7	8.5
180	6	9.3	10.3
210	7	11.3	12.4
240	8	13.5	14.8
270	9	16.0	17.6
300	10	18.8	20.7
330	11	21.9	24.1
360	12	25.3	27.8

METAL AIR DISTRIBUTION BOX FlexiVent 1001200/75x15

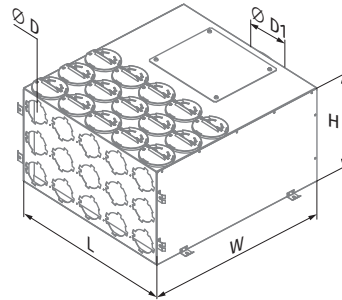
Supply or exhaust ventilation systems of residential spaces. For distribution of air from the ventilation unit through the air ducts.



- Made of aluzinc coated steel.
- The main air duct flange is sealed with a rubber gasket.
- Air duct connection through matching flanges **FlexiVent 0275** (purchased separately).
- Unused openings must be capped with **FlexiVent 030975**.
- Internally sound-insulated.

Air capacity [m ³ /h]	Quantity of connected air ducts	Air supply, air resistance [Pa]	Air exhaust, air resistance [Pa]
30	1	4.1	4.5
60	2	4.5	4.9
90	3	5.1	5.6
120	4	6.0	6.6
150	5	7.1	7.8
180	6	8.5	9.3
210	7	10.1	11.1
240	8	11.9	13.1
270	9	14.0	15.4
300	10	16.4	18.0
330	11	19.0	20.9
360	12	21.9	24.0
390	13	25.0	27.5
420	14	28.3	31.1
450	15	31.9	35.1

Dimensions [mm]	Ø D	Ø D1	H	L	W
FlexiVent 1001200/75x15	67	199	302	500	600



SYSTEM 75

CONNECTORS

CEILING-MOUNTED VALVE CONNECTOR

FlexiVent 0812125/75x2

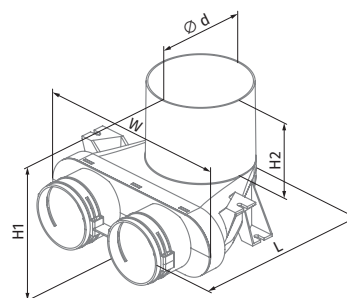
For supply and exhaust systems in residential premises.
Ceiling mounted.
Connecting the ventilation grille to \varnothing 75 mm ducts.



- Connection diameters: 75 mm.
- Ducts are fastened with **FlexiVent 03** locks, included in the delivery.
- The duct is fitted with **FlexiVent 0575** slip-on seal to retain air-tightness class "C" (purchased separately).
- Made of polypropylene (PP) with thermoplastic elastomer (SEBS).
- Operating temperature: from -20 to +60 °C.

Air flow [m ³ /h]	Quantity of connected air ducts	Air supply. Pressure drop [Pa]	Air exhaust. Pressure drop [Pa]
30	1	3.2	4.0
60	2	3.9	5.0

Dimensions [mm]	\varnothing d (inner)	H1	H2	L	W
FlexiVent 0812125/75x2	127	183	100	243	266



CEILING-MOUNTED VALVE CONNECTOR

FlexiVent 0810125/75x3

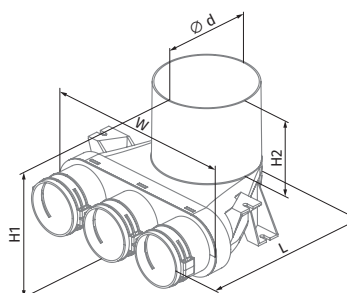
For supply and exhaust systems in residential premises.
Ceiling mounted.
Connecting the ventilation grille to \varnothing 75 mm ducts.



- Connection diameters: 75 and 125 mm.
- Ducts are fastened with **FlexiVent 03** locks, included in the delivery.
- The duct is fitted with **FlexiVent 0575** slip-on seal to retain air-tightness class "C" (purchased separately).
- Made of polypropylene (PP) with thermoplastic elastomer (SEBS).
- Operating temperature: from -20 to +60 °C.

Air flow [m ³ /h]	Quantity of connected air ducts	Air supply. Pressure drop [Pa]	Air exhaust. Pressure drop [Pa]
30	1	3.2	4.0
60	2	3.9	5.0
90	3	7.8	8.8

Dimensions [mm]	\varnothing d (inner)	H1	H2	L	W
FlexiVent 0810125/75x3	127	183	100	243	266



FLOOR MOUNTED GRILL CONNECTOR FlexiVent 0821300x100/75x2

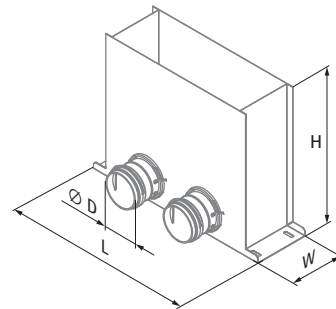
For supply or exhaust ventilation systems of residential spaces.
Floor mounted.
Connecting the floor ventilation grille to FlexiVent ducts.



- The connector is made of metal and fitted with polypropylene spigots.
- Fixation of the FlexiVent air duct with the **FlexiVent 0375** lock ring (included in the delivery).
- The **FlexiVent 0575** sealing ring (available as a special accessory) is used to provide airtightness class "C".

Air flow [m³/h]	Quantity of connected air ducts	Air supply. Pressure drop [Pa]	Air exhaust. Pressure drop [Pa]
30	1	6.7	5.1
60	2	7.5	6.3

Dimensions [mm]	Ø D	H	L	W
FlexiVent 0821300x100/75x2	84	300	401	115



FLOOR MOUNTED GRILL CONNECTOR FlexiVent 0821300x100/75x3

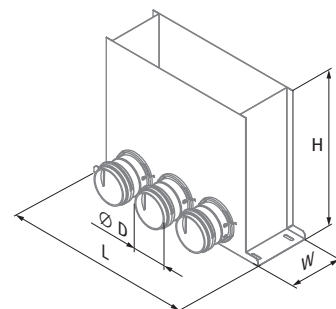
For supply or exhaust ventilation systems of residential spaces.
Floor mounted.
Connecting the floor ventilation grille to FlexiVent ducts.



- The connector is made of metal and fitted with polypropylene spigots.
- Fixation of the FlexiVent air duct with the **FlexiVent 0375** lock ring (included in the delivery).
- The **FlexiVent 0575** sealing ring (available as a special accessory) is used to provide airtightness class "C".

Air flow [m³/h]	Quantity of connected air ducts	Air supply. Pressure drop [Pa]	Air exhaust. Pressure drop [Pa]
30	1	6.2	3.8
60	2	6.8	5.2
90	3	7.4	6.2

Dimensions [mm]	Ø D	H	L	W
FlexiVent 0821300x100/75x3	84	300	401	116



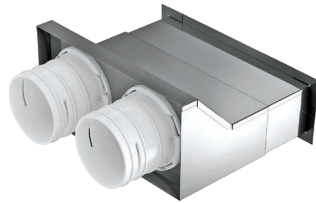
SYSTEM 75

WALL-MOUNTED GRILL CONNECTOR

FlexiVent

0832200x55/75x2

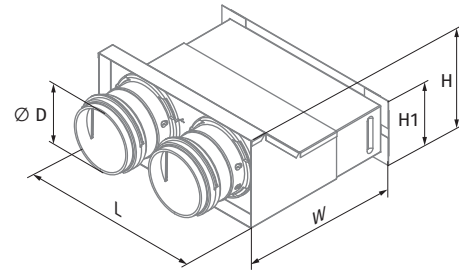
For supply or exhaust ventilation systems of residential spaces. Wall-mounted. Connecting the 200x55 wall ventilation grille to FlexiVent ducts.



- The connector is made of metal and fitted with polypropylene spigots (included in the delivery).
- The **FlexiVent 0575** sealing ring (available as a special accessory) is used to provide airtightness class "C".

Air flow [m ³ /h]	Quantity of connected air ducts	Air supply. Pressure drop [Pa]	Air exhaust. Pressure drop [Pa]
30	1	2.8	2.6
60	2	2.7	2.4

Dimensions [mm]	Ø D	H	H1	L	W
FlexiVent 0832200x55/75x2	84	112	75	204	177



WALL-MOUNTED METAL GRILL CONNECTOR

FlexiVent 0833200x55/75x2

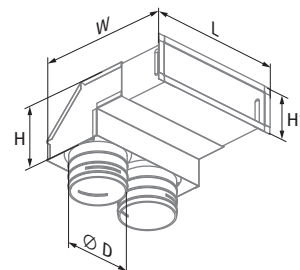
For supply or exhaust ventilation systems of residential spaces. Wall-mounted. Connecting the wall ventilation grille to FlexiVent ducts.



- The connector is made of metal and fitted with polypropylene spigots (included in the delivery).
- The **FlexiVent 0575** sealing ring (available as a special accessory) is used to provide airtightness class "C".

Air flow [m ³ /h]	Quantity of connected air ducts	Air supply. Pressure drop [Pa]	Air exhaust. Pressure drop [Pa]
30	1	2.5	2.5
60	2	3.3	2.9

Dimensions [mm]	Ø D	H	H1	L	W
FlexiVent 0833200x55/75x2	84	110	75	225	237



FITTINGS

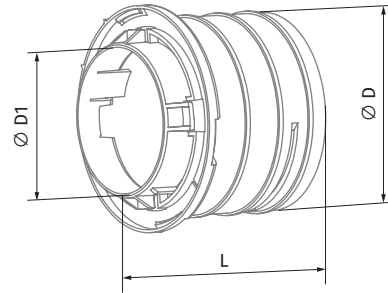
ROUND FLANGE FlexiVent 0275

For connection of the air ducts to the connectors and air distribution boxes.



- Fixation of the FlexiVent air duct with the **FlexiVent 0375** lock ring (included in the delivery).
- The **FlexiVent 0575** sealing ring (available as a special accessory) is used to provide airtightness class "C".
- Made of polypropylene (PP) with thermoplastic elastomer (SEBS).
- Operation temperature from -20 up to +60 °C.

Dimensions [mm]	Ø D	Ø D1	L
FlexiVent 0275	84	66	77



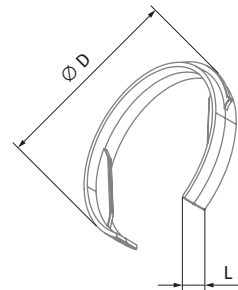
LOCK RING FlexiVent 0375

For fixation of the air duct in the FlexiVent 0275 flange.



- Made of polypropylene (PP) with thermoplastic elastomer (SEBS).
- Operation temperature from -20 up to +60 °C.

Dimensions [mm]	Ø D	L
FlexiVent 0375	91	13



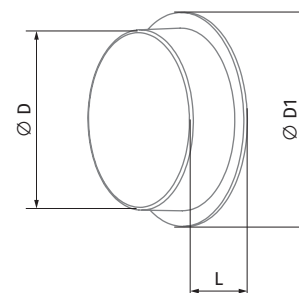
ROUND DUCT CAP FlexiVent 030175

For covering of the duct openings.



- Made of polypropylene (PP) with thermoplastic elastomer (SEBS).
- Operation temperature from -20 up to +60 °C.

Dimensions [mm]	Ø D	Ø D1	L
FlexiVent 030175	63.2	75	20



SYSTEM 75

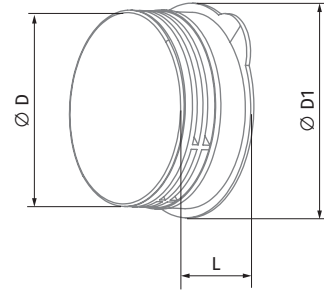
ROUND FLANGE CAP FlexiVent 030275

For covering of unused flanges in the connectors.



- The FlexiVent 0575 sealing ring (included in the delivery) is used to provide airtightness class "C".
- Made of polypropylene (PP) with thermoplastic elastomer (SEBS).
- Operation temperature from -20 up to +60 °C.

Dimensions [mm]	Ø D	Ø D1	L
FlexiVent 030275	77	95	32



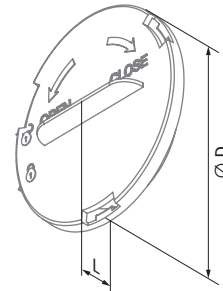
AIR DISTRIBUTION BOX CAP FlexiVent 030975

For covering of unused openings in the air distribution boxes.



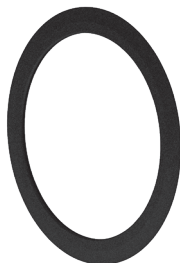
- The FlexiVent 0575 sealing ring (included in the delivery) is used to provide airtightness class "C".
- Made of polypropylene (PP) with thermoplastic elastomer (SEBS).
- Operation temperature from -20 up to +60 °C.

Dimensions [mm]	Ø D	L
FlexiVent 030975	96	29



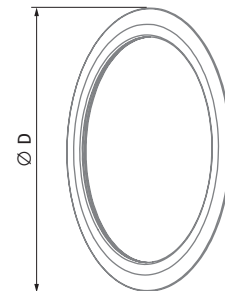
SEALING RING FlexiVent 0575

For sealing of air ducts Ø 75 mm and FlexiVent 030275 caps.



- The FlexiVent 0575 sealing ring is used to provide airtightness class "C".
- Made of polypropylene (PP) with thermoplastic elastomer (SEBS).
- Operation temperature from -20 up to +60 °C.

Dimensions [mm]	Ø D
FlexiVent 0575	79



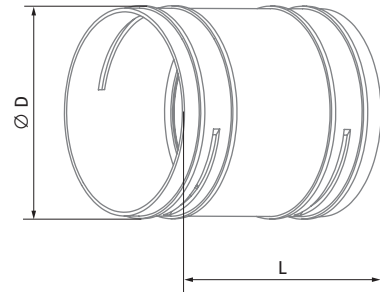
COUPLING SLEEVE FlexiVent 060175

For air supply or air exhaust systems in residential premises. For connection of the air ducts.



- Fixation of the FlexiVent air duct with the **FlexiVent 0375** lock ring (included in the delivery).
- The **FlexiVent 0575** sealing ring (available as a special accessory) is used to provide airtightness class "C".
- Made of polypropylene (PP) with thermoplastic elastomer (SEBS).
- Operation temperature from -20 up to +60 °C.

Dimensions [mm]	Ø D	L
FlexiVent 060175	79	95



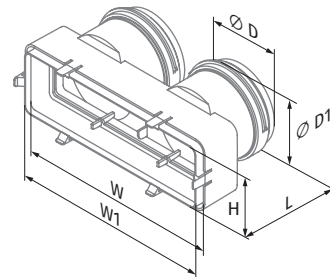
COUPLING SLEEVE FlexiVent 060175/204x60

For connection of FlexiVent air ducts Ø 75 mm and Plastivent 204x60 mm.



- Fixation of the FlexiVent duct with the **FlexiVent 0375** lock ring (included in the delivery).
- The **FlexiVent 0575** sealing ring (available as a special accessory) is used to provide airtightness class "C".
- Made of polypropylene (PP) with thermoplastic elastomer (SEBS).
- Operation temperature from -20 up to +60 °C.

Dimensions [mm]	Ø D	Ø D1	H	L	W	W1
FlexiVent 060175/204x60	84	91	60	98	217	204



ROUND BEND FlexiVent 060375

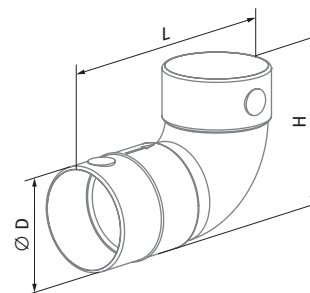
For connection of the air ducts Ø 75 mm with the angle of 90°.



- The **FlexiVent 0575** sealing ring (available as a special accessory) is used to provide airtightness class "C".
- Made of PVC.
- Operation temperature from -20 up to +60 °C.

Air flow [m³/h]	Pressure drop [Pa]
30	2.7

Dimensions [mm]	Ø D	H	L
FlexiVent 060375	78	129	178



SYSTEM 75

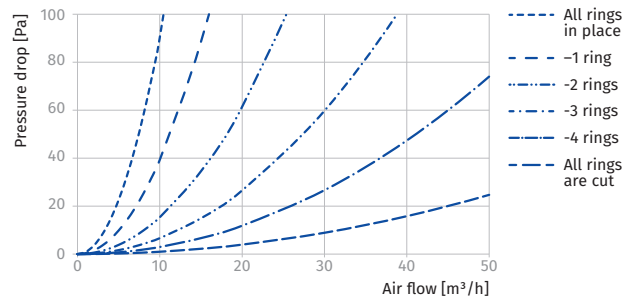
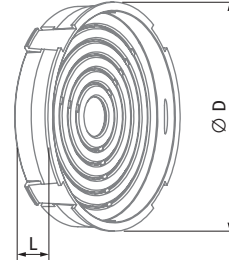
AIR FLOW RESTRICTOR FlexiVent 0775

Supply or exhaust ventilation systems of residential spaces. Adjusting the air flow in the duct.



- Inserted in the FlexiVent 0275 flanges from inside of the FlexiVent air distribution box. Cut away unnecessary rings for air flow regulation.
- Made of polypropylene (PP) with thermoplastic elastomer (SEBS).
- Operation temperature from -20 up to +60 °C.

Dimensions [mm]	Ø D	L
FlexiVent 0775	62	14

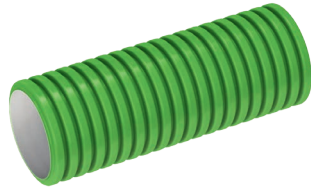


DUCTS

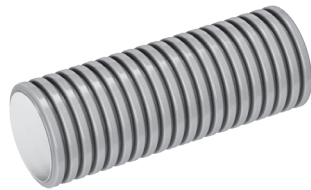
ROUND DUCT
FlexiVent 01905000



ROUND DUCT WITH
ANTIBACTERIAL AND
ANTISTATIC TREATMENT
FlexiVent 0101905000



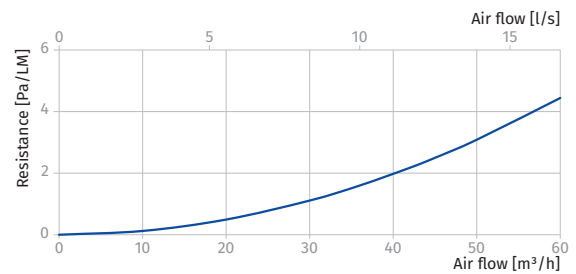
ROUND DUCT WITH
ANTISTATIC TREATMENT
FlexiVent 0102905000



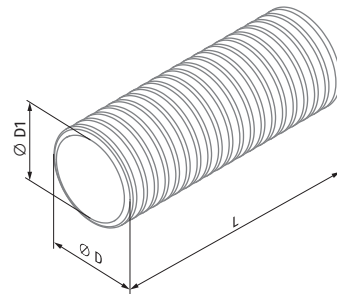
- Made of high-density polyethylene (HDPE).
- The bend radius is 180 mm.
- Circular density 8 kN/m² according to EN ISO 9969.
- Operating temperature: from -20 to +60 °C.
- Smooth inner surface for low air resistance and easy cleaning.

Air speed through the cross-section [m/s]	2	2.5	3
1 duct – air flow [m ³ /h]	36	42	50
2 ducts – air flow [m ³ /h]	70	84	101

Duct length [m]	Duct resistance [Pa]		
2	3.2	4.4	6.2
4	6.4	8.7	12.3
6	9.6	13.1	18.5
8	12.8	17.4	24.7
10	16.0	21.8	30.9
12	19.2	26.1	37.0
14	22.4	30.5	43.2
16	25.6	34.8	49.4
18	28.8	39.2	55.6



Dimensions [mm]	∅ D	∅ D1	L [m]
FlexiVent 01905000	90	76	50
FlexiVent 0101905000	90	76	50
FlexiVent 0102905000	90	76	50



SYSTEM 90

AIR DISTRIBUTION BOXES

PLASTIC AIR DISTRIBUTION BOX FlexiVent 1050125/90x2

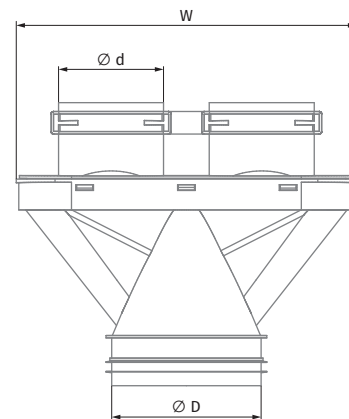
For supply and exhaust systems in residential premises. Distribution of air from the ventilation unit through the ducts.



- Connection diameter: 90 mm
- Ducts are fastened with **FlexiVent 03** locks, included in the delivery.
- The duct is fitted with **FlexiVent 0590** slip-on seal to retain air-tightness class "C" (purchased separately).
- Made of polypropylene (PP) with thermoplastic elastomer (SEBS).
- Operating temperature: from -20 to +60 °C

Air capacity [m³/h]	Quantity of connected air ducts	Air supply, air resistance [Pa]	Air exhaust, air resistance [Pa]
45	1	5.6	6.2
90	2	7.5	8.3

Dimensions [mm]	Ø D	Ø d	W
FlexiVent 1050125/90x2	125	90	271



METAL AIR DISTRIBUTION BOX FlexiVent 1001125/90x6

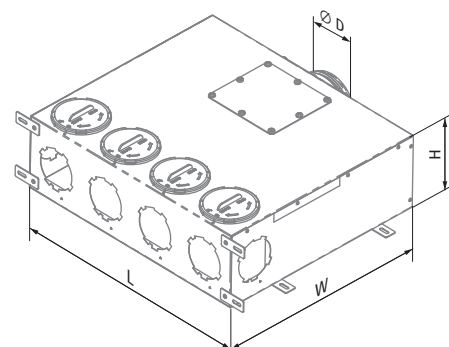
Supply or exhaust ventilation systems of residential spaces. Distribution of air from the ventilation unit through the ducts.



- The main air duct flange is sealed with a rubber gasket.
- Air duct connection through matching flanges **FlexiVent 0290** (purchased separately).
- Any unused ports are sealed off with **FlexiVent 030990** air distribution box plugs.
- Made of steel with aluzinc coating.
- Internal sound insulation layer..

Air flow [m³/h]	Quantity of connected air ducts	Air supply, Pressure drop [Pa]	Air exhaust, Pressure drop [Pa]
45	1	4.0	4.1
90	2	5.4	5.5
135	3	9.0	9.2
180	4	16.0	16.5
225	5	23.5	24.2
270	6	31.5	32.4

Dimensions [mm]	Ø D1	H	L	W
FlexiVent 1001125/90x6	122	162	530	470



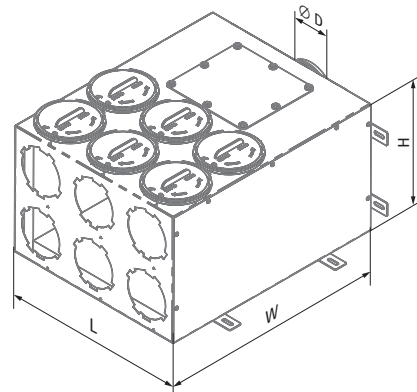
METAL AIR DISTRIBUTION BOX FlexiVent 1002125/90x6 FlexiVent 1002160/90x6

Supply or exhaust ventilation systems of residential spaces. Distribution of air from the ventilation unit through the ducts.



- The main air duct flange is sealed with a rubber gasket.
- Air duct connection through matching flanges **FlexiVent 0290** (purchased separately).
- Any unused ports are sealed off with **FlexiVent 030990** air distribution box plugs.
- Made of steel with aluzinc coating.
- Internal sound insulation layer.

Dimensions [mm]	Ø D1	H	L	W
FlexiVent 1002125/90x6	122	239	348	432
FlexiVent 1002160/90x6	157	239	348	460



FlexiVent 1002125/90x6

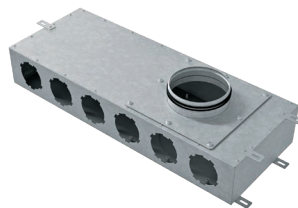
Air flow [m ³ /h]	Quantity of connected air ducts	Air supply. Pressure drop [Pa]	Air exhaust. Pressure drop [Pa]
45	1	4.0	4.1
90	2	5.4	5.5
135	3	9.0	9.2
180	4	16.0	16.5
225	5	23.5	24.2
270	6	31.5	32.4

FlexiVent 1002160/90x6

Air flow [m ³ /h]	Quantity of connected air ducts	Air supply. Pressure drop [Pa]	Air exhaust. Pressure drop [Pa]
45	1	5.4	6.0
90	2	6.7	7.3
135	3	8.7	9.6
180	4	11.6	12.8
225	5	15.4	16.9
270	6	19.9	21.9

METAL AIR DISTRIBUTION BOX FlexiVent 1004160/90x6

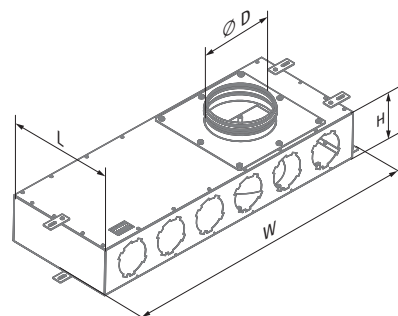
Supply or exhaust ventilation systems of residential spaces. Distribution of air from the ventilation unit through the ducts.



- The main air duct flange is sealed with a rubber gasket.
- Air duct connection through matching flanges **FlexiVent 0290** (purchased separately).
- Any unused ports are sealed off with **FlexiVent 030990** air distribution box plugs.
- Made of steel with aluzinc coating.

Air flow [m ³ /h]	Quantity of connected air ducts	Air supply. Pressure drop [Pa]	Air exhaust. Pressure drop [Pa]
45	1	8.6	8.8
90	2	11.5	11.8
135	3	14.0	14.4
180	4	17.5	18.0
225	5	21.5	22.1
270	6	27.0	27.8

Dimensions [mm]	Ø D1	H	L	W
FlexiVent 1004160/90x6	157	125	290	770



SYSTEM 90

PLASTIC AIR DISTRIBUTION BOX FlexiVent 1050125/90x6

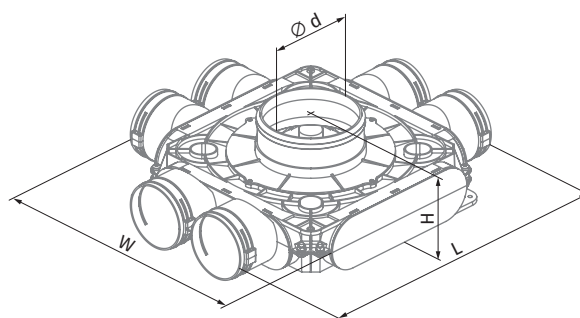
For supply and exhaust systems in residential premises. Distribution of air from the ventilation unit through the ducts.



- Connection diameter: 90 mm.
- Ducts are fastened with **FlexiVent 03** locks, included in the delivery.
- The duct is fitted with **FlexiVent 0590** slip-on seal to retain air-tightness class "C" (purchased separately).
- Made of polypropylene (PP) with thermoplastic elastomer (SEBS).
- Operating temperature: from -20 to +60 °C.

Air flow [m ³ /h]	Quantity of connected air ducts	Air supply. Pressure drop [Pa]	Air exhaust. Pressure drop [Pa]
45	1	5.7	6.3
90	2	8.0	8.7
135	3	11.6	12.8
180	4	16.8	18.5
225	5	23.5	25.8
270	6	31.6	34.7

Dimensions [mm]	Ø d (inner)	H	L	W
FlexiVent 1050125/90x6	113	140	496	424



PLASTIC AIR DISTRIBUTION BOX FlexiVent 1051125/90x6

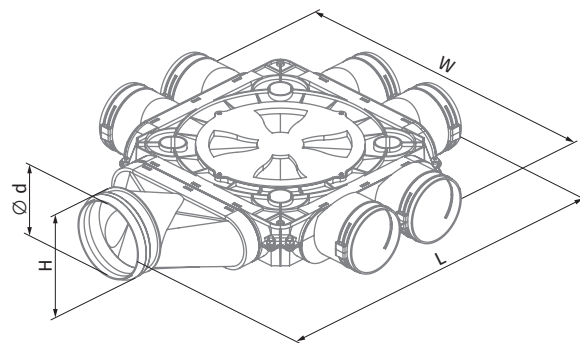
For supply and exhaust systems in residential premises. Distribution of air from the ventilation unit through the ducts.



- Connection diameter: 90 mm.
- Ducts are fastened with **FlexiVent 03** locks, included in the delivery.
- The duct is fitted with **FlexiVent 0590** slip-on seal to retain air-tightness class "C" (purchased separately).
- Made of polypropylene (PP) with thermoplastic elastomer (SEBS).
- Operating temperature: from -20 to +60 °C.

Air flow [m ³ /h]	Quantity of connected air ducts	Air supply. Pressure drop [Pa]	Air exhaust. Pressure drop [Pa]
45	1	21.5	24.1
90	2	25.8	28.9
135	3	31.0	34.6
180	4	37.2	41.6
225	5	44.6	49.9
270	6	53.6	59.9

Dimensions [mm]	Ø d1 (inner)	H	L	W
FlexiVent 1051125/90x6	113	128	588	496



METAL AIR DISTRIBUTION BOX FlexiVent 1001160/90x8

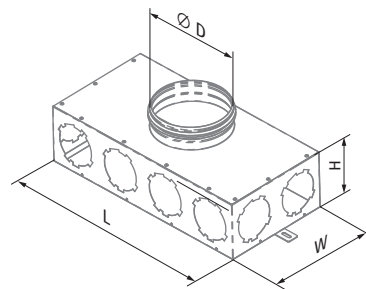
Supply or exhaust ventilation systems of residential spaces. Distribution of air from the ventilation unit through the ducts.



- The main air duct flange is sealed with a rubber gasket.
- Air duct connection through matching flanges **FlexiVent 0290** (purchased separately).
- Any unused ports are sealed off with **FlexiVent 030990** air distribution box plugs.
- Made of steel with aluzinc coating.

Air flow [m ³ /h]	Quantity of connected air ducts	Air supply. Pressure drop [Pa]	Air exhaust. Pressure drop [Pa]
45	1	5.5	6.0
90	2	6.9	7.6
135	3	9.2	10.1
180	4	12.5	13.7
225	5	16.7	18.4
270	6	21.8	24.0
315	7	27.9	30.7
360	8	35.0	38.4

Dimensions [mm]	Ø D1	H	L	W
FlexiVent 1001160/90x8	157	125	464	232



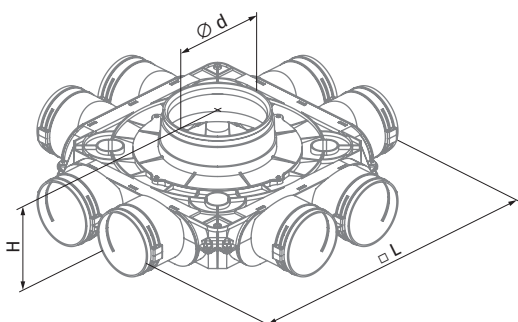
PLASTIC AIR DISTRIBUTION BOX FlexiVent 1050150/90x8 FlexiVent 1050160/90x8 FlexiVent 1050200/90x8

For supply and exhaust systems in residential premises. Distribution of air from the ventilation unit through the ducts.



- Connection diameter: 90 mm.
- Ducts are fastened with **FlexiVent 03** locks, included in the delivery.
- The duct is fitted with **FlexiVent 0590** slip-on seal to retain air-tightness class "C" (purchased separately).
- Made of polypropylene (PP) with thermoplastic elastomer (SEBS).
- Operating temperature: from -20 to +60 °C.

Dimensions [mm]	Ø d1 (inner)	H	L
FlexiVent 1050150/90x8	138	140	496
FlexiVent 1050160/90x8	148	140	496
FlexiVent 1050200/90x8	188	140	496



FlexiVent 1050150/90x8

Air capacity [m ³ /h]	Quantity of connected air ducts	Air supply, air resistance [Pa]	Air exhaust, air resistance [Pa]
45	1	5.5	6.0
90	2	6.9	7.6
135	3	9.2	10.1
180	4	12.5	13.7
225	5	16.7	18.4
270	6	21.8	24.0
315	7	27.9	30.7
360	8	35.0	38.4

FlexiVent 1050160/90x8

Air capacity [m ³ /h]	Quantity of connected air ducts	Air supply, air resistance [Pa]	Air exhaust, air resistance [Pa]
45	1	5.5	6.0
90	2	6.9	7.6
135	3	9.2	10.1
180	4	12.5	13.7
225	5	16.7	18.4
270	6	21.8	24.0
315	7	27.9	30.7
360	8	35.0	38.4

FlexiVent 1050200/90x8

Air capacity [m ³ /h]	Quantity of connected air ducts	Air supply, air resistance [Pa]	Air exhaust, air resistance [Pa]
45	1	5.3	5.9
90	2	6.3	7.0
135	3	8.0	8.8
180	4	10.3	11.4
225	5	13.3	14.7
270	6	17.0	18.7
315	7	21.3	23.4
360	8	26.3	28.9

SYSTEM 90

PLASTIC AIR DISTRIBUTION BOX

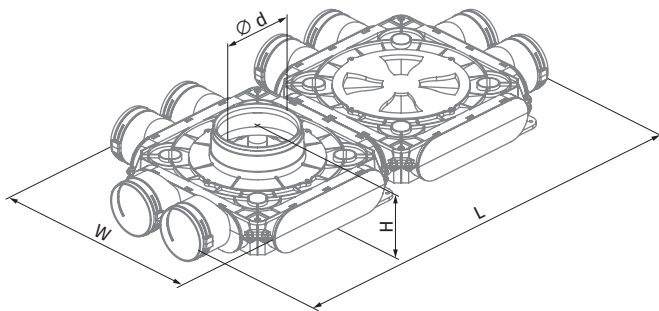
FlexiVent 1051150/90x8
FlexiVent 1051160/90x8
FlexiVent 1051200/90x8



For supply and exhaust systems
in residential premises.
Distribution of air from the
ventilation unit through the ducts.

- Connection diameter: 90 mm.
- Ducts are fastened with **FlexiVent 03** locks, included in the delivery.
- The duct is fitted with **FlexiVent 0590** slip-on seal to retain air-tightness class "C" (purchased separately).
- Made of polypropylene (PP) with thermoplastic elastomer (SEBS).
- Operating temperature: from -20 to +60 °C.

Dimensions [mm]	Ø d (inner)	H	L	W
FlexiVent 1051150/90x8	138	140	845	424
FlexiVent 1051160/90x8	148	140	845	424
FlexiVent 1051200/90x8	188	140	845	424



FlexiVent 1051150/90x8

Air capacity [m³/h]	Quantity of connected air ducts	Air supply, air resistance [Pa]	Air exhaust, air resistance [Pa]
45	1	5.5	6.0
90	2	6.9	7.6
135	3	9.2	10.1
180	4	12.5	13.7
225	5	16.7	18.4
270	6	21.8	24.0
315	7	27.9	30.7
360	8	35.0	38.4

FlexiVent 1051160/90x8

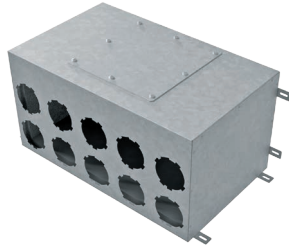
Air capacity [m³/h]	Quantity of connected air ducts	Air supply, air resistance [Pa]	Air exhaust, air resistance [Pa]
45	1	5.5	6.0
90	2	6.9	7.6
135	3	9.2	10.1
180	4	12.5	13.7
225	5	16.7	18.4
270	6	21.8	24.0
315	7	27.9	30.7
360	8	35.0	38.4

FlexiVent 1051200/90x8

Air capacity [m³/h]	Quantity of connected air ducts	Air supply, air resistance [Pa]	Air exhaust, air resistance [Pa]
45	1	5.3	5.9
90	2	6.3	7.0
135	3	8.0	8.8
180	4	10.3	11.4
225	5	13.3	14.7
270	6	17.0	18.7
315	7	21.3	23.4
360	8	26.3	28.9

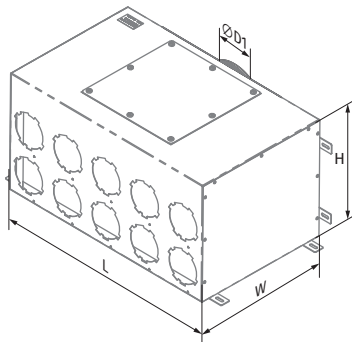
METAL AIR DISTRIBUTION BOX
FlexiVent 1002160/90x10
FlexiVent 1002200/90x10

Supply or exhaust ventilation systems of residential spaces. Distribution of air from the ventilation unit through the ducts.



- The main air duct flange is sealed with a rubber gasket.
- Air duct connection through matching flanges **FlexiVent 0290** (purchased separately).
- Any unused ports are sealed off with **FlexiVent 030990** air distribution box plugs.
- Made of steel with aluzinc coating. Internal sound insulation layer.

Dimensions [mm]	Ø D1	H	L	W
FlexiVent 1002160/90x10	157	302	580	350
FlexiVent 1002200/90x10	197	302	580	350



FlexiVent 1002160/90x10

Air capacity [m³/h]	Quantity of connected air ducts	Air supply, air resistance [Pa]	Air exhaust, air resistance [Pa]
45	1	5.4	6.0
90	2	6.7	7.3
135	3	8.7	9.6
180	4	11.6	12.8
225	5	15.4	16.9
270	6	19.9	21.9
315	7	25.3	27.8
360	8	31.5	34.6
405	9	38.5	42.4
450	10	46.4	51.0

FlexiVent 1002200/90x10

Air capacity [m³/h]	Quantity of connected air ducts	Air supply, air resistance [Pa]	Air exhaust, air resistance [Pa]
45	1	5.3	5.8
90	2	6.1	6.7
135	3	7.5	8.3
180	4	9.5	10.4
225	5	12.0	13.2
270	6	15.0	16.5
315	7	18.7	20.5
360	8	22.9	25.1
405	9	27.6	30.4
450	10	32.9	36.2

METAL AIR DISTRIBUTION BOX
FlexiVent 1003160/90x10

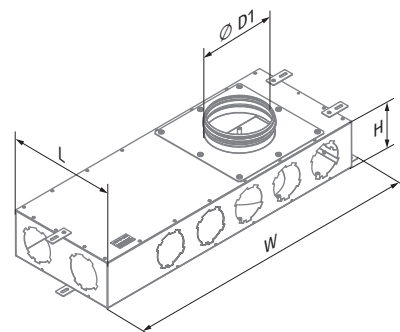
Supply or exhaust ventilation systems of residential spaces. Distribution of air from the ventilation unit through the ducts.



- The main air duct flange is sealed with a rubber gasket.
- Air duct connection through matching flanges **FlexiVent 0290** (purchased separately).
- Any unused ports are sealed off with **FlexiVent 030990** air distribution box plugs.
- Made of steel with aluzinc coating.

Air capacity [m³/h]	Quantity of connected air ducts	Air supply, air resistance [Pa]	Air exhaust, air resistance [Pa]
45	1	5.5	6.0
90	2	6.9	7.6
135	3	9.2	10.1
180	4	12.5	13.7
225	5	16.7	18.4
270	6	21.8	24.0
315	7	27.9	30.7
360	8	35.0	38.4
405	9	42.9	47.2
450	10	51.8	57.0

Dimensions [mm]	Ø D1	H	L	W
FlexiVent 1003160/90x10	157	125	290	770



SYSTEM 90

PLASTIC AIR DISTRIBUTION BOX

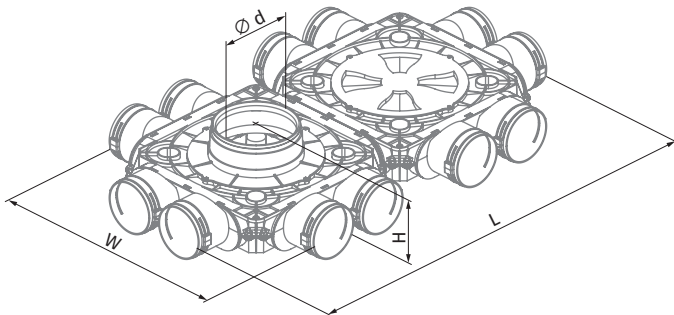
FlexiVent 1050150/90x12
FlexiVent 1050160/90x12
FlexiVent 1050200/90x12



For supply and exhaust systems
in residential premises.
Distribution of air from the
ventilation unit through the ducts.

- Connection diameter: 90 mm.
- Ducts are fastened with **FlexiVent 03** locks, included in the delivery.
- The duct is fitted with **FlexiVent 0590** slip-on seal to retain air-tightness class "C" (purchased separately).
- Made of polypropylene (PP) with thermoplastic elastomer (SEBS).
- Operating temperature: from -20 to +60 °C.

Dimensions [mm]	Ø d (inner)	H	L	W
FlexiVent 1050150/90x12	138	140	845	496
FlexiVent 1050160/90x12	148	140	845	496
FlexiVent 1050200/90x12	188	140	845	496



FlexiVent 1050150/90x12

Air capacity [m³/h]	Quantity of connected air ducts	Air supply, air resistance [Pa]	Air exhaust, air resistance [Pa]
45	1	5.5	6.0
90	2	6.9	7.6
135	3	9.2	10.1
180	4	12.5	13.7
225	5	16.7	18.4
270	6	21.8	24.0
315	7	27.9	30.7
360	8	35.0	38.4
405	9	42.9	47.2
450	10	51.8	57.0
495	11	61.6	67.8
540	12	72.4	79.6

FlexiVent 1050160/90x12

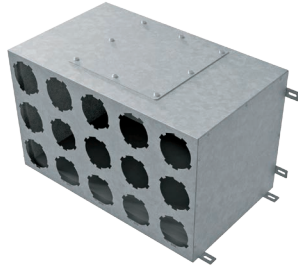
Air capacity [m³/h]	Quantity of connected air ducts	Air supply, air resistance [Pa]	Air exhaust, air resistance [Pa]
45	1	5.5	6.0
90	2	6.9	7.6
135	3	9.2	10.1
180	4	12.5	13.7
225	5	16.7	18.4
270	6	21.8	24.0
315	7	27.9	30.7
360	8	35.0	38.4
405	9	42.9	47.2
450	10	51.8	57.0
495	11	61.6	67.8
540	12	72.4	79.6

FlexiVent 1050200/90x12

Air capacity [m³/h]	Quantity of connected air ducts	Air supply, air resistance [Pa]	Air exhaust, air resistance [Pa]
45	1	5.3	5.9
90	2	6.3	7.0
135	3	8.0	8.8
180	4	10.3	11.4
225	5	13.3	14.7
270	6	17.0	18.7
315	7	21.3	23.4
360	8	26.3	28.9
405	9	32.0	35.2
450	10	38.3	42.1
495	11	45.3	49.8
540	12	53.0	58.2

METAL AIR DISTRIBUTION BOX FlexiVent 1002200/90x15

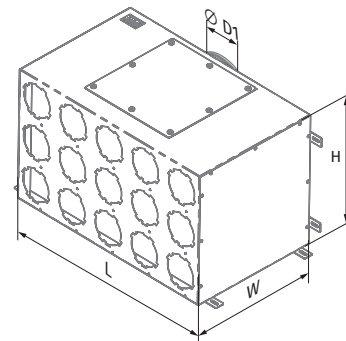
Supply or exhaust ventilation systems of residential spaces. Distribution of air from the ventilation unit through the ducts.



- The main air duct flange is sealed with a rubber gasket.
- Air duct connection through matching flanges **FlexiVent 0290** (purchased separately).
- Any unused ports are sealed off with **FlexiVent 030990** air distribution box plugs.
- Made of steel with aluzinc coating.
- Internal sound insulation layer.

Air capacity [m ³ /h]	Quantity of connected air ducts	Air supply, air resistance [Pa]	Air exhaust, air resistance [Pa]
45	1	5.3	5.8
90	2	6.1	6.7
135	3	7.5	8.3
180	4	9.5	10.4
225	5	12.0	13.2
270	6	15.0	16.5
315	7	18.7	20.5
360	8	22.9	25.1
405	9	27.6	30.4
450	10	32.9	36.2
495	11	38.8	42.6
540	12	45.2	49.7
585	13	52.2	57.4
630	14	59.7	65.7
675	15	67.8	74.6

Dimensions [mm]	Ø D1	H	L	W
FlexiVent 1002200/90x15	197	355	580	350



SYSTEM 90

CONNECTORS

CEILING-MOUNTED VALVE CONNECTOR

FlexiVent 0810125/90x2

FlexiVent 0812125/90x2

For supply and exhaust systems in residential premises.
For under-ceiling mounting with 125 mm duct downwards.
Connecting the ventilation grille to \varnothing 90 mm ducts.



- Connection diameters: 90 and 125 mm.
- Ducts are fastened with **FlexiVent 03** locks, included in the delivery.
- The duct is fitted with **FlexiVent 0590** slip-on seal to retain air-tightness class "C" (purchased separately).
- Made of polypropylene (PP) with thermoplastic elastomer (SEBS).
- Operating temperature: from -20 to +60 °C.

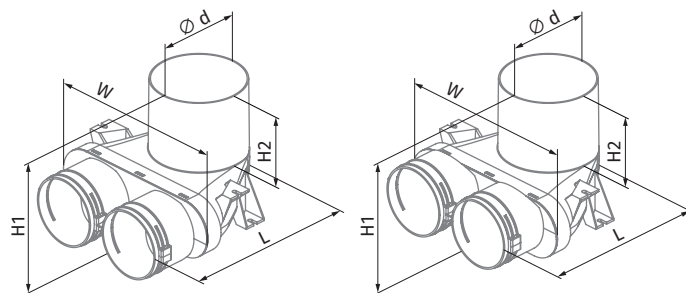
FlexiVent 0810125/90x2

Air flow [m³/h]	Quantity of connected air ducts	Air supply. Pressure drop [Pa]	Air exhaust. Pressure drop [Pa]
45	1	6.3	7.0
90	2	7.8	8.8

FlexiVent 0812125/90x2

Air flow [m³/h]	Quantity of connected air ducts	Air supply. Pressure drop [Pa]	Air exhaust. Pressure drop [Pa]
45	1	6.3	7.0
90	2	7.8	8.8

Dimensions [mm]	\varnothing d (inner)	H1	H2	L	W
FlexiVent 0810125/90x2	127	183	100	257	266
FlexiVent 0812125/90x2	127	183	100	257	266



FlexiVent 0810125/90x2

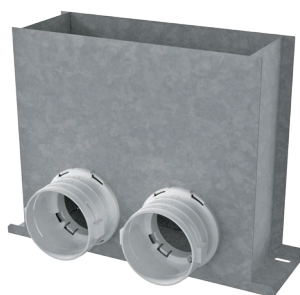
FlexiVent 0812125/90x2

FLOOR-MOUNTED GRILL CONNECTOR

FlexiVent

0821300x100/90x2

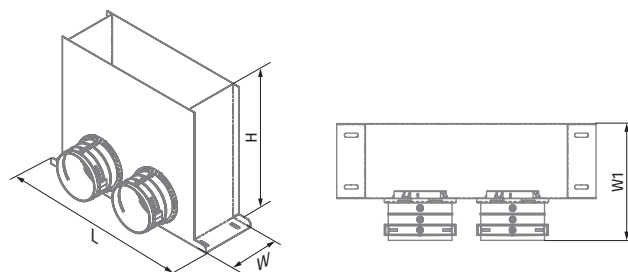
Supply or exhaust ventilation systems of residential spaces.
Floor-mounted.
Connecting the floor ventilation grille to FlexiVent ducts.



- Connection diameter is 90 mm.
- The ducts are secured with **FlexiVent 03** locks (purchased separately).
- The duct is fitted with **FlexiVent 0590** slip-on seal to retain air-tightness class "C" (purchased separately).
- The connector is made of metal and supplied with polypropylene spigots.

Air flow [m³/h]	Quantity of connected air ducts	Air supply. Pressure drop [Pa]	Air exhaust. Pressure drop [Pa]
45	1	6.8	7.7
90	2	7.2	8.0

Dimensions [mm]	H	L	W	W1
FlexiVent 0821300x100/90x2	300	401	115	180



WALL-MOUNTED GRILL CONNECTOR

FlexiVent 0832234x70/90x2

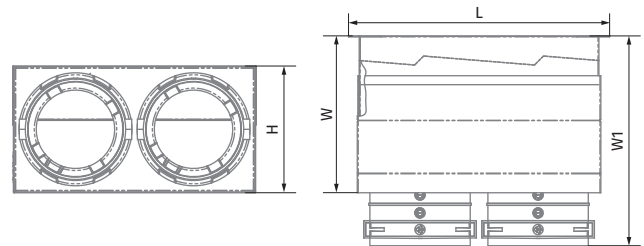
Supply or exhaust ventilation systems of residential spaces. Wall-mounted. Connecting the FlexiVent wall ventilation grille to FlexiVent ducts.



- Connection diameter is 90 mm.
- The duct is secured with **FlexiVent 03** locks (purchased separately).
- The duct is fitted with **FlexiVent 0590** slip-on seal to retain air-tightness class "C" (purchased separately).
- The connector is made of metal and supplied with polypropylene spigots.
- Operating temperature: from -20 to +60 °C.

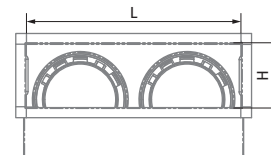
Air flow [m³/h]	Quantity of connected air ducts	Air supply. Pressure drop [Pa]	Air exhaust. Pressure drop [Pa]
45	1	6.5	6.0
90	2	6.3	5.6

Dimensions [mm]	H	L	W	W1
FlexiVent 0832234x70/90x2	134	256.5	119-219	169-269



Connecting dimensions where the grille is inserted

Dimensions [mm]	H	L
FlexiVent 0832234x70/90x2	70	234



WALL-MOUNTED GRILL CONNECTOR

FlexiVent 0833234x70/90x2

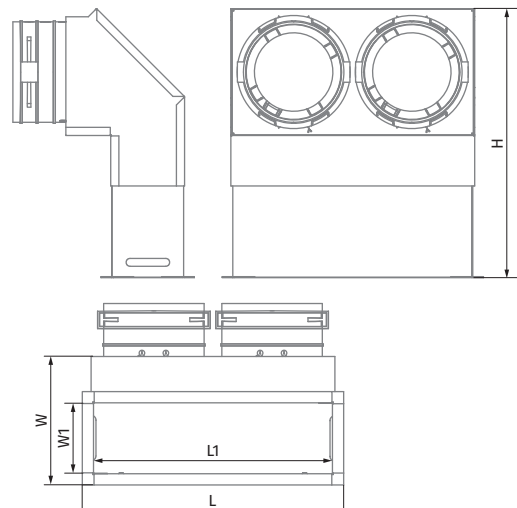
Supply or exhaust ventilation systems of residential spaces. Wall-mounted. Connecting the FlexiVent wall ventilation grille to FlexiVent ducts.



- Connection diameter is 90 mm.
- The duct is secured with **FlexiVent 03** locks (purchased separately).
- The duct is fitted with **FlexiVent 0590** slip-on seal to retain air-tightness class "C" (purchased separately).
- The connector is made of metal and supplied with polypropylene spigots.
- Operating temperature: from -20 to +60 °C.

Air flow [m³/h]	Quantity of connected air ducts	Air supply. Pressure drop [Pa]	Air exhaust. Pressure drop [Pa]
45	1	5.8	5.8
90	2	7.7	6.6

Dimensions [mm]	H	L	L1	W	W1
FlexiVent 0833234x70/90x2	176-274	256	234	126	70



SYSTEM 90

FITTINGS

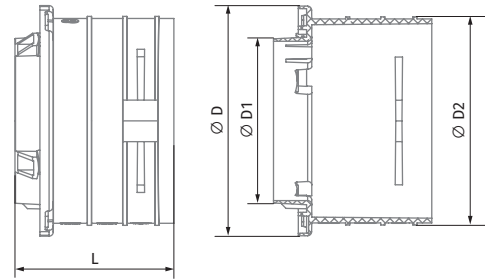
ROUND FLANGE FlexiVent 0290

Supply or exhaust ventilation systems of residential spaces. Connecting air ducts to connectors and air distribution boxes.



- The duct is secured with a **FlexiVent 03** locks (purchased separately).
- A duct is fitted with a **FlexiVent 0590** seal to retain air-tightness class "C" (purchased separately).
- Made of polypropylene (PP) with thermoplastic elastomer (SEBS).
- Operating temperature: from -20 to +60 °C.

Dimensions [mm]	Ø D	Ø D1	Ø D2	L
FlexiVent 0290	111	79	101	76



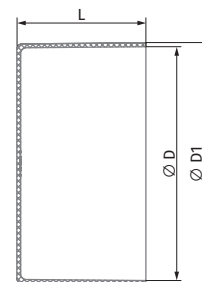
ROUND PIPE PLUG FlexiVent 030190

Sealing off Ø 90 mm duct end and preventing debris from entering the duct during construction and installation work.



- Made of polypropylene (PP) with thermoplastic elastomer (SEBS).
- Operating temperature: from -20 to +60 °C.

Dimensions [mm]	Ø D	Ø D1	L
FlexiVent 030190	91	94	50



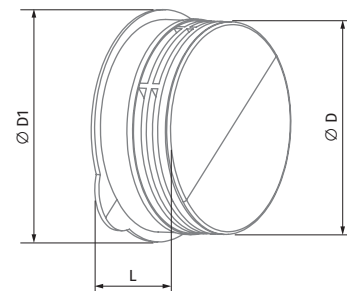
ROUND FLANGE PLUG FlexiVent 030290

Sealing off unused FlexiVent 0290 flanges in connectors.



- Made of polypropylene (PP) with thermoplastic elastomer (SEBS).
- The plug is supplied with a seal (purchased separately) to retain air-tightness class "C".
- Operating temperature: from -20 to +60 °C.

Dimensions [mm]	Ø D	Ø D1	L
FlexiVent 030290	91	115	32



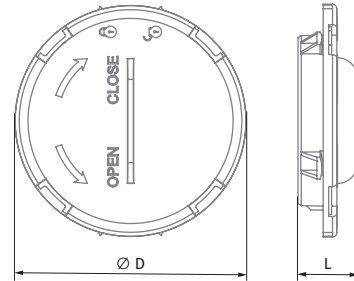
AIR DISTRIBUTION BOX PLUG FlexiVent 030990

Sealing off unused ports in air distribution boxes.



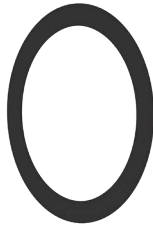
- Made of polypropylene (PP) with thermoplastic elastomer (SEBS).
- The plug is supplied with a seal to retain airtightness class "C".
- Operating temperature: from -20 to +60 °C.

Dimensions [mm]	Ø D	L
FlexiVent 030990	111	29



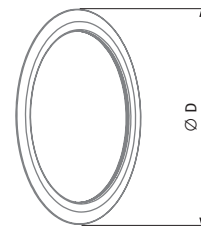
SEAL RING FlexiVent 0590

Sealing Ø 90 mm ducts and FlexiVent flange plugs.



- Made of synthetic rubber.
- The FlexiVent 0590 sealing ring is used to provide airtightness class "C".
- Operating temperature: from -20 to +60 °C.

Dimensions [mm]	Ø D
FlexiVent 0590	94



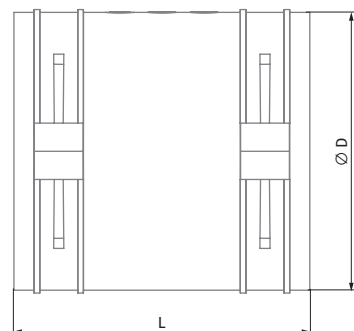
COUPLING SLEEVE FlexiVent 060190

Supply or exhaust ventilation systems of residential spaces. Joining Ø 90 mm air ducts.



- The ducts are secured with FlexiVent 03 locks (included in the delivery).
- The duct is fitted with a seal to retain airtightness class "C" (purchased separately).
- Made of polypropylene (PP) with thermoplastic elastomer (SEBS).
- Operating temperature: from -20 to +60 °C.

Dimensions [mm]	Ø D	L
FlexiVent 060190	101	105



SYSTEM 90

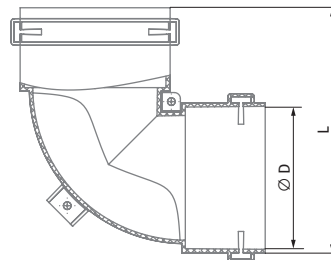
ROUND BEND FlexiVent 060390

Supply or exhaust ventilation systems of residential spaces. Joining \varnothing 90 mm ducts at 90°.



- Connection diameter is 90 mm.
- The duct is secured with FlexiVent 03 locks.
- The duct is fitted with a FlexiVent 0590 seal to retain air-tightness class "C" (purchased separately).
- Made of polypropylene (PP) with thermoplastic elastomer (SEBS).
- Operating temperature: from -20 to +60 °C.

Air flow [m ³ /h]	Pressure drop [Pa]	
45	2.4	
Dimensions [mm]	Ø D	L
FlexiVent 060390	94	167



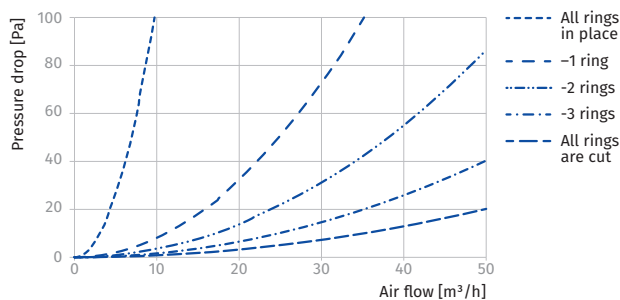
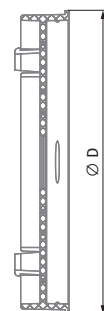
AIR FLOW RESTRICTOR FlexiVent 0790

Supply or exhaust ventilation systems of residential spaces. Adjusting the air flow in the duct.



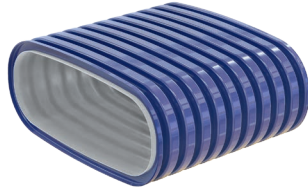
- Inserted into FlexiVent 0290 flanges on the inside of the air distribution box.
- To adjust the air flow, cut the unnecessary rings off the casting.
- Made of polypropylene (PP) with thermoplastic elastomer (SEBS).
- Operating temperature: from -20 to +60 °C.

Dimensions [mm]	Ø D	L
FlexiVent 0790	78	14

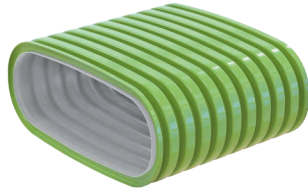


DUCTS

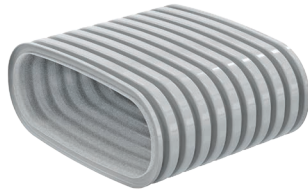
OVAL DUCT
FlexiVent 01525000



OVAL DUCT WITH
ANTIBACTERIAL AND
ANTISTATIC TREATMENT
FlexiVent 0101525000



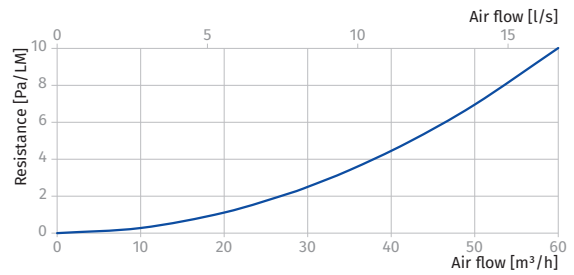
OVAL DUCT WITH
ANTISTATIC TREATMENT
FlexiVent 0102525000



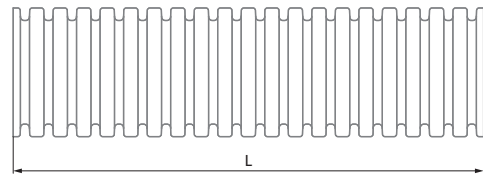
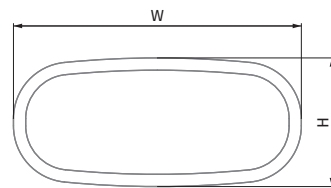
- Made of high-density polyethylene (HDPE).
- Maximum air flow: 30 m³/h.
- Horizontal bend radius: $r_h = 3 \times B$.
- Vertical bend radius: $r_v = 3 \times H$.
- Circular density 8 kN/m² according to EN ISO 9969.
- Operating temperature: from -20 to +60 °C.
- Smooth inner surface for low air resistance and easy cleaning.

Air speed through the cross-section [m/s]	2	2.5	3
1 duct – air flow [m ³ /h]	28	35	42
2 ducts – air flow [m ³ /h]	56	70	84

Duct length [m]	Duct resistance [Pa]		
2	4.4	6.8	9.8
4	8.7	13.6	19.6
6	13.1	20.4	29.4
8	17.4	27.2	39.2
10	21.8	34.0	49.0
12	26.1	40.8	58.8
14	30.5	47.6	68.6
16	34.8	54.4	78.4
18	39.2	61.3	88.2



Dimensions [mm]	H	L [m]	W
FlexiVent 01522000	52	20	117
FlexiVent 0101522000	52	20	117
FlexiVent 0102522000	52	20	117
FlexiVent 01525000	52	50	117
FlexiVent 0101525000	52	50	117
FlexiVent 0102525000	52	50	117



SYSTEM 52

AIR DISTRIBUTION BOXES

PLASTIC AIR
DISTRIBUTION BOX

FlexiVent 1060125/52x8

FlexiVent 1060150/52x8

FlexiVent 1060160/52x8

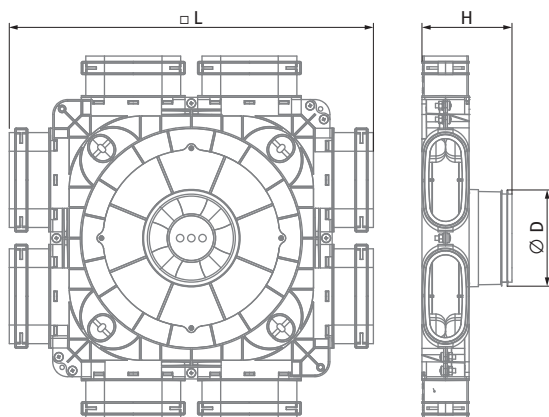
FlexiVent 1060200/52x8



For supply and exhaust systems
in residential premises.
Distribution of air from the
ventilation unit through the ducts.

- Connecting dimensions: 117x52 mm.
- Ducts are fastened with **FlexiVent 03** locks, included in the delivery.
- To ensure air tightness class "C", a **FlexiVent 0552** seal (purchased separately) is mounted on a duct.
- Made of polypropylene (PP) with thermoplastic elastomer (SEBS).
- Operating temperature: from -20 to +60 °C.

Dimensions [mm]	Ø D	H	L
FlexiVent 1060125/52x8	124	121	488
FlexiVent 1060150/52x8	149	121	488
FlexiVent 1060160/52x8	159	121	488
FlexiVent 1060200/52x8	199	121	488



FlexiVent 1060125/52x8

Air capacity [m³/h]	Quantity of connected air ducts	Air supply, air resistance [Pa]	Air exhaust, air resistance [Pa]
30	1	4,3	4,8
60	2	5,3	5,8
90	3	7,0	7,6
120	4	9,2	10,2
150	5	12,2	13,4
180	6	15,8	17,4
210	7	20,1	22,1
240	8	25,0	27,5

FlexiVent 1060150/52x8

Air capacity [m³/h]	Quantity of connected air ducts	Air supply, air resistance [Pa]	Air exhaust, air resistance [Pa]
30	1	4,2	4,6
60	2	4,8	5,3
90	3	5,9	6,5
120	4	7,3	8,1
150	5	9,2	10,1
180	6	11,5	12,6
210	7	14,2	15,6
240	8	17,3	19,0

FlexiVent 1060160/52x8

Air capacity [m³/h]	Quantity of connected air ducts	Air supply, air resistance [Pa]	Air exhaust, air resistance [Pa]
30	1	4,2	4,6
60	2	4,8	5,3
90	3	5,9	6,5
120	4	7,3	8,1
150	5	9,2	10,1
180	6	11,5	12,6
210	7	14,2	15,6
240	8	17,3	19,0

FlexiVent 1060200/52x8

Air capacity [m³/h]	Quantity of connected air ducts	Air supply, air resistance [Pa]	Air exhaust, air resistance [Pa]
30	1	4,1	4,6
60	2	4,6	5,1
90	3	5,3	5,9
120	4	6,4	7,0
150	5	7,7	8,5
180	6	9,3	10,3
210	7	11,3	12,4
240	8	13,5	14,8

CONNECTORS

CEILING-MOUNTED PLASTIC CONNECTOR

FlexiVent 0810125/52x2

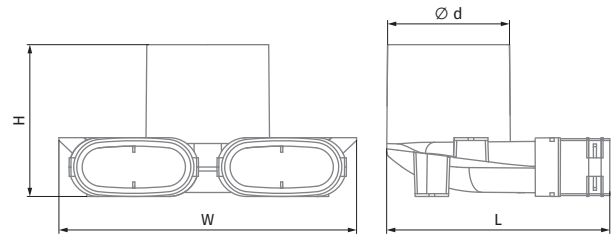
For supply and exhaust systems in residential premises.
For under-ceiling mounting.
Connecting the ventilation grille to 117x52 mm ducts.



- Connecting dimensions: 117x52 and \varnothing 125 mm.
- Ducts are fastened with **FlexiVent 03** locks, included in the delivery.
- To ensure air tightness class "C", a **FlexiVent 0552** seal (purchased separately) is mounted on a duct.
- Made of polypropylene (PP) with thermoplastic elastomer (SEBS).
- Operating temperature: from -20 to +60 °C.

Air flow [m ³ /h]	Quantity of connected air ducts	Air supply. Pressure drop [Pa]	Air exhaust. Pressure drop [Pa]
30	1	5.0	5.2
60	2	5.1	5.6

Dimensions [mm]	\varnothing d (inner)	H	L	W
FlexiVent 0810125/52x2	127	163	240	320



SYSTEM 52

FITTINGS

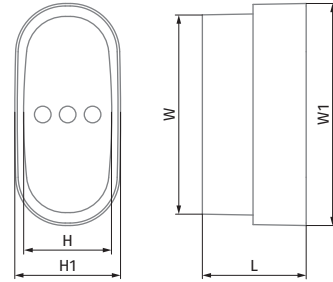
OVAL PIPE PLUG FlexiVent 030152/60

For sealing 117×52 mm duct ends and preventing debris from entering the duct during construction and installation work.



- Made of polypropylene (PP) with thermoplastic elastomer (SEBS).
- Operating temperature: from -20 to +60 °C.

Dimensions [mm]	H	H1	L	W	W1
FlexiVent 030152/60	52	64	63	117	134



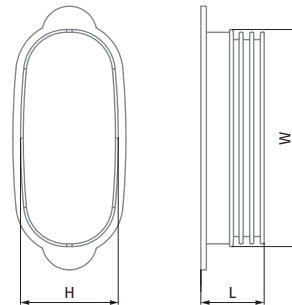
OVAL FLANGE PLUG FlexiVent 030252

For covering open flanges 117×52 mm in plenums and air distribution boxes.



- Made of polypropylene (PP) with thermoplastic elastomer (SEBS).
- Operating temperature: from -20 to +60 °C.

Dimensions [mm]	H	L	W
FlexiVent 030252	53	35	118



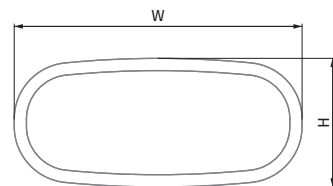
OVAL SEAL FlexiVent 0552

For sealing 117×52 mm ducts and FlexiVent flange plugs.



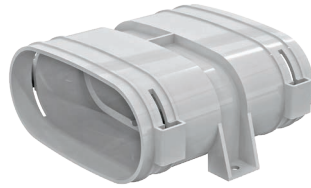
- Made of synthetic rubber.
- Operating temperature: from -20 to +60 °C.

Dimensions [mm]	H	W
FlexiVent 0552	58	123



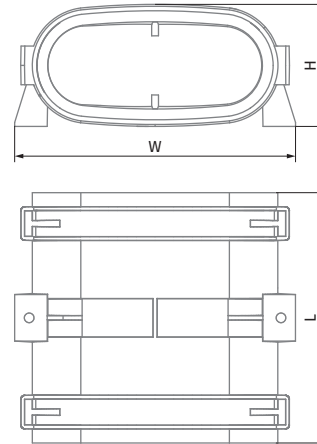
OVAL COUPLING FlexiVent 060152

For supply and exhaust systems in residential premises.
For joining 117×52 mm air ducts.



- Connecting dimensions: 117×52 mm.
- Ducts are fastened with **FlexiVent 03** locks, included in the delivery.
- To ensure air tightness class "C", a **FlexiVent 0552** seal (purchased separately) is mounted on a duct.
- Made of polypropylene (PP) with thermoplastic elastomer (SEBS).
- Operating temperature: from -20 to +60 °C.

Dimensions [mm]	H	L	W
FlexiVent 060152	63	130	145



OVAL HORIZONTAL BEND FlexiVent 060252

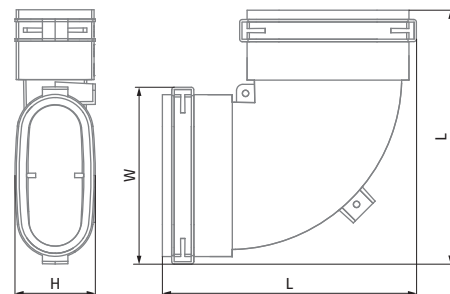
For supply and exhaust systems in residential premises.
For connecting 117×52 mm air ducts horizontally at 90°.



- Connecting dimensions: 117×52 mm.
- Ducts are fastened with **FlexiVent 03** locks, included in the delivery.
- To ensure air tightness class "C", a **FlexiVent 0552** seal (purchased separately) is mounted on a duct.
- Made of polypropylene (PP) with thermoplastic elastomer (SEBS).
- Operating temperature: from -20 to +60 °C.

Air flow [m³/h]	Pressure drop [Pa]
30	1.6

Dimensions [mm]	H	L	W
FlexiVent 060252	58	200	139



OVAL VERTICAL BEND FlexiVent 060352

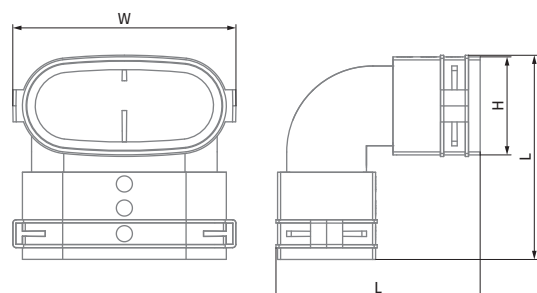
For supply and exhaust systems in residential premises.
For connecting 117×52 mm air ducts vertically at 90°.



- Connecting dimensions: 117×52 mm.
- Ducts are fastened with **FlexiVent 03** locks, included in the delivery.
- To ensure air tightness class "C", a **FlexiVent 0552** seal (purchased separately) is mounted on a duct.
- Made of polypropylene (PP) with thermoplastic elastomer (SEBS).
- Operating temperature: from -20 to +60 °C.

Air flow [m³/h]	Pressure drop [Pa]
30	2.5

Dimensions [mm]	H	L	W
FlexiVent 060352	61	127	139



GRILLES

FLOOR-MOUNTED GRILLES

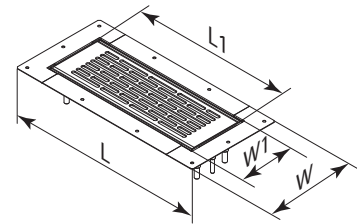
FLOOR-MOUNTED METAL GRILLE FlexiVent 0920300x100

Supply or exhaust ventilation systems of residential spaces. Installed into floor-mounted connectors.

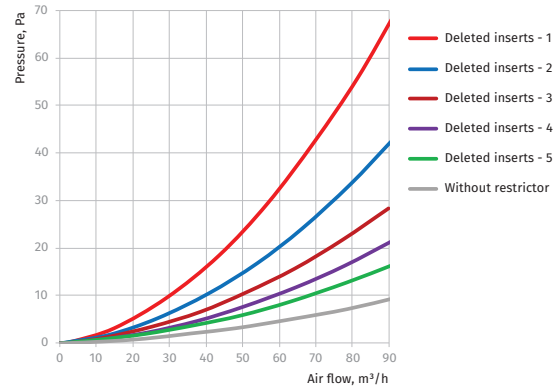


- Made of metal with white polymer coating.
- Secured with springs.

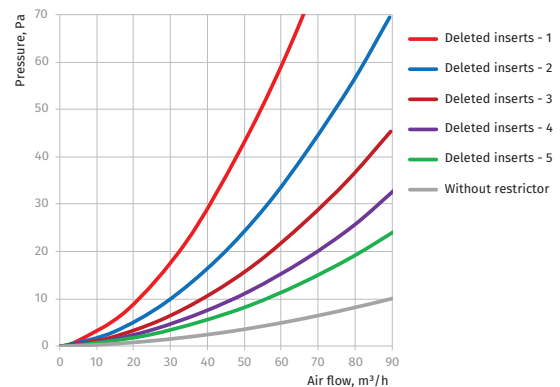
Dimensions [mm]	L	L1	W	W1	Cross-sectional area [m ²]
FlexiVent 0920300x100	377	309	178	112	0.011



Pressure loss of the grille with rectangular flow restrictor. Supply



Pressure loss of the grille with rectangular flow restrictor. Exhaust



	Equivalent area, mm ²					
	Without flow restrictor	Deleted insert - 5	Deleted insert - 4	Deleted insert - 3	Deleted insert - 2	Deleted insert - 1
Supply	10380	6690	5920	5070	3650	2950
Exhaust	9830	5650	4560	3680	2740	2100

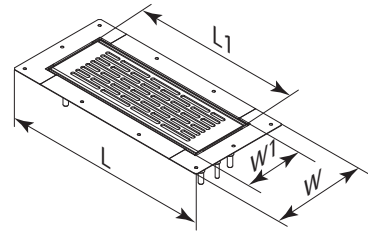
FLOOR-MOUNTED METAL GRILLE FlexiVent 0930300x100

Supply or exhaust ventilation systems of residential spaces. Installed into floor-mounted connectors.

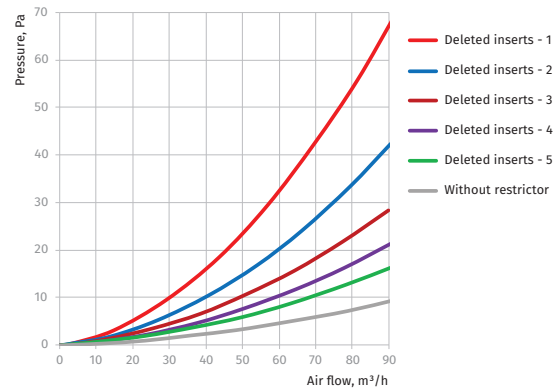


- Made of brushed stainless steel.
- Secured with springs.

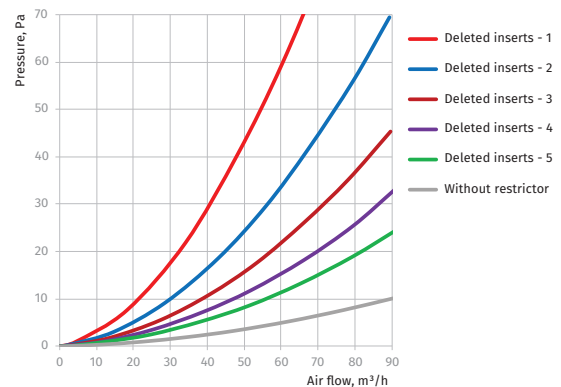
Dimensions [mm]	L	L1	W	W1	Cross-sectional area [m ²]
FlexiVent 0930300x100	377	309	178	112	0.011



Pressure loss of the grille with rectangular flow restrictor. Supply



Pressure loss of the grille with rectangular flow restrictor. Exhaust



	Equivalent area, mm ²					
	Without flow restrictor	Deleted insert - 5	Deleted insert - 4	Deleted insert - 3	Deleted insert - 2	Deleted insert - 1
Supply	10380	6690	5920	5070	3650	2950
Exhaust	9830	5650	4560	3680	2740	2100

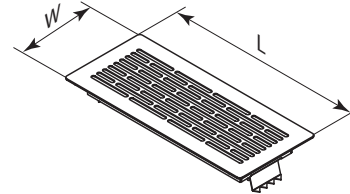
GRILLES

FLOOR-MOUNTED METAL OVERLAY GRILLE FlexiVent 0924300x100

Supply or exhaust ventilation systems of residential spaces. Installed into floor-mounted connectors.

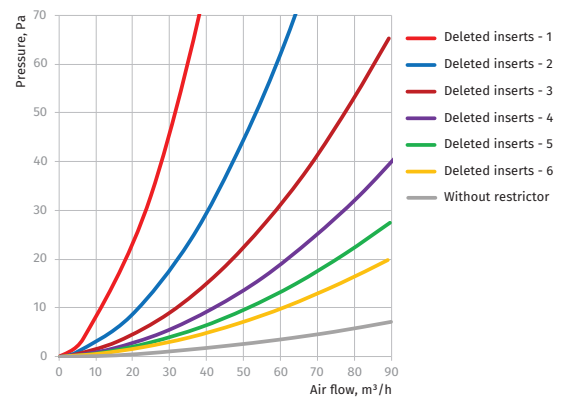


Dimensions [mm]	L	W	Cross-sectional area [m ²]
FlexiVent 0924300x100	351	151	0.013

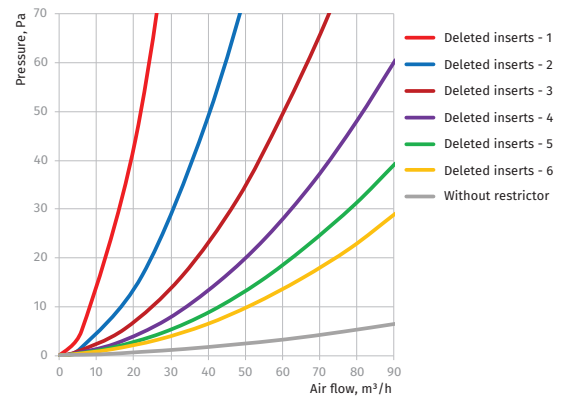


- Made of metal with white polymer coating.
- Secured with springs.

Pressure loss of the grille with rectangular flow restrictor. Supply



Pressure loss of the grille with rectangular flow restrictor. Exhaust



	Equivalent area, mm ²						
	Without air dumper	Deleted insert - 6	Deleted insert - 5	Deleted insert - 4	Deleted insert - 3	Deleted insert - 2	Deleted insert - 1
Supply	11600	6200	5310	4220	3120	2150	1310
Exhaust	12210	5060	4290	3390	2500	1730	930

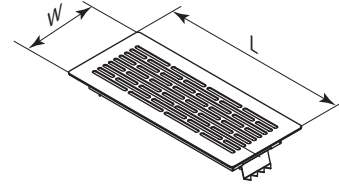
FLOOR-MOUNTED METAL OVERLAY GRILLE

FlexiVent 0928300x100

Supply or exhaust ventilation systems of residential spaces. Installed into floor-mounted connectors.

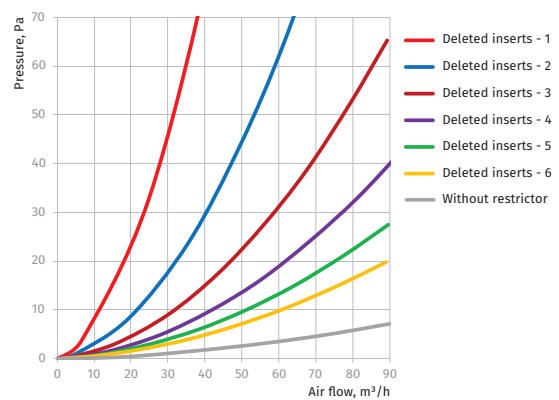


Dimensions [mm]	L	W	Cross-sectional area [m ²]
FlexiVent 0928300x100	351	151	0.013

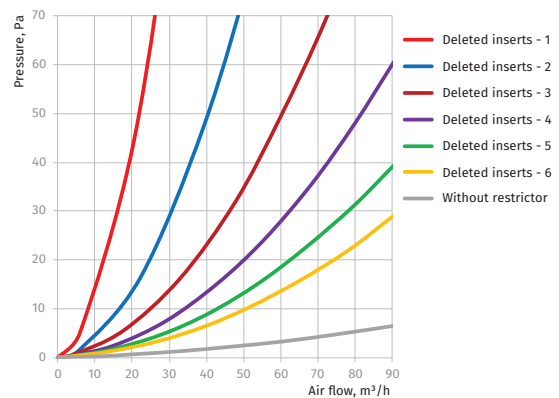


- Made of polished stainless steel.
- Secured with springs.

Pressure loss of the grille with rectangular flow restrictor. Supply



Pressure loss of the grille with rectangular flow restrictor. Exhaust

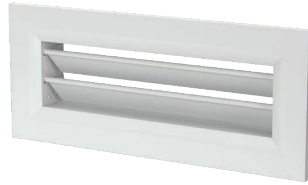


	Equivalent area, mm ²						
	Without air dumper	Deleted insert - 6	Deleted insert - 5	Deleted insert - 4	Deleted insert - 3	Deleted insert - 2	Deleted insert - 1
Supply	11600	6200	5310	4220	3120	2150	1310
Exhaust	12210	5060	4290	3390	2500	1730	930

GRILLES

WALL-MOUNTED GRILLES

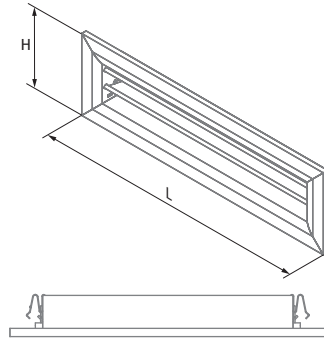
WALL-MOUNTED
METAL GRILLE
FlexiVent 0930200x55
FlexiVent 0930234x70
FlexiVent 0930300x55



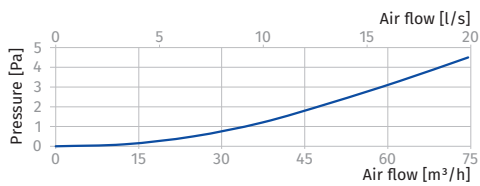
Supply or exhaust ventilation systems of residential spaces. Installed into wall-mounted connectors.

- Made of aluminium with white polymer coating.
- Secured with springs.
- With regulated louvers.

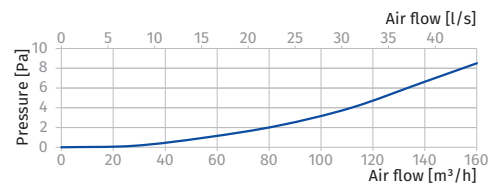
Dimensions [mm]	H	L	Cross-sectional area [m ²]
FlexiVent 0930200x55	97	230	0.007
FlexiVent 0930234x70	113	262	0.011
FlexiVent 0930300x55	97	330	0.015



FlexiVent 0930200x55
FlexiVent 0930234x70



FlexiVent 0930300x55



DISC VALVES

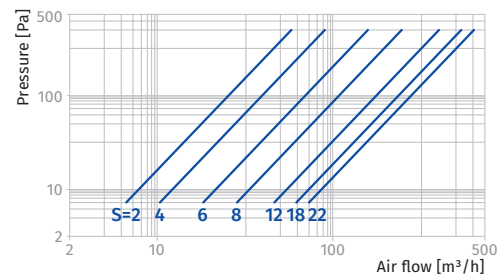
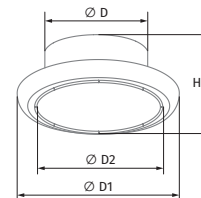
SUPPLY DISC VALVE AM 125 PRF

Supply ventilation systems of residential spaces. Installed into wall-mounted connectors.



- Made of metal with white polymer coating.
- Smooth air flow regulation.

Dimensions [mm]	Ø D	Ø D1	Ø D2	H
AM 125 PRF	20	166	110	124



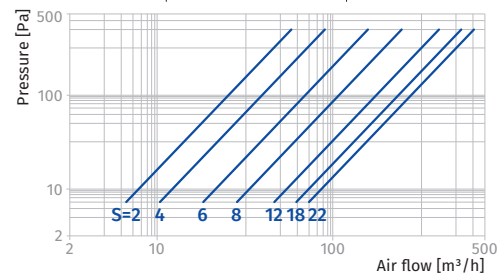
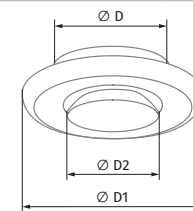
EXHAUST DISC VALVE AM 125 VRF

Extract ventilation systems of residential spaces. Installed into wall-mounted connectors.



- Made of metal with white polymer coating.
- Smooth air flow regulation.

Dimensions [mm]	Ø D	Ø D1	Ø D2
AM 125 VRF	124	154	100



GRILLES

UNIVERSAL PLASTIC GRILLES

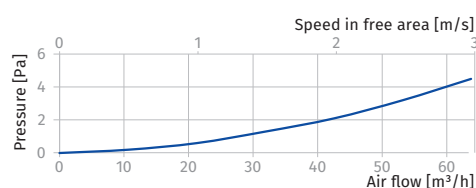
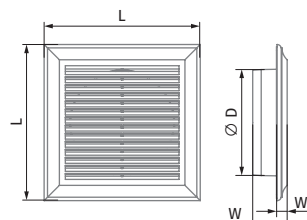
SQUARE GRILLE MV 120 VS

Supply or exhaust ventilation systems of residential spaces. Installed into wall-mounted connectors.



- Made of antistatic ABS plastic or polystyrene.
- Fixation with screws.
- Includes a mosquito screen.

Dimensions [mm]	Ø D	L	W	W1	Cross-sectional area [m ²]
MV 120 Vs	125	180	40.6	12.6	0.006



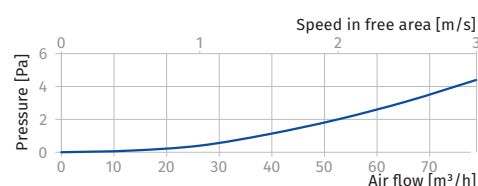
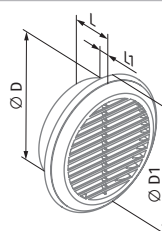
ROUND GRILLE MV 125 PFS ABS

Supply or exhaust ventilation systems of residential spaces. Installed into wall-mounted connectors.



- Made of antistatic ABS plastic or polystyrene.
- Fixation with screws.
- Includes a mosquito screen.

Dimensions [mm]	Ø D	Ø D1	L	L1	Cross-sectional area [m ²]
MV 125 PFS ABS	125	165	42	14	0.007



CEILING DIFFUSER F4 125 FB

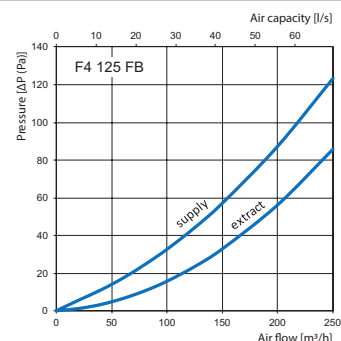
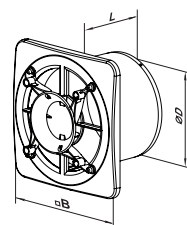
Supply and exhaust ventilation systems of residential spaces. Installed into ceiling plenums.



- Made of high quality ABS plastic.
- Can be equipped with a 07125 flow restrictor – F4 125 FBR modification.
- The diffuser grille is removable for cleaning both the diffuser and the plenum with channels.
- Compatible with Design Concept panels, including glass panels.



Dimensions [mm]	Ø D	B	L
F4 125 FB	124	165	88



Compatible panels



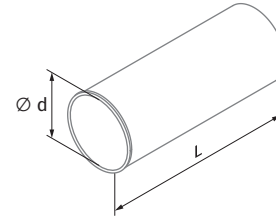
VALVE CONNECTOR DUCT FLEXIVENT 12125

For supply and exhaust systems in residential premises.
For extension of ducts of ceiling-mounted FlexiVent plastic plenums.



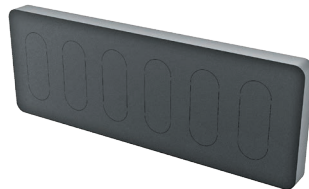
- Connection diameter: 125 mm.
- Made of polypropylene (PP) with thermoplastic elastomer (SEBS).
- Operating temperature: from -20 to +60 °C.

Dimensions [mm]	Ø d (inner)	L
FlexiVent 12125	127	302



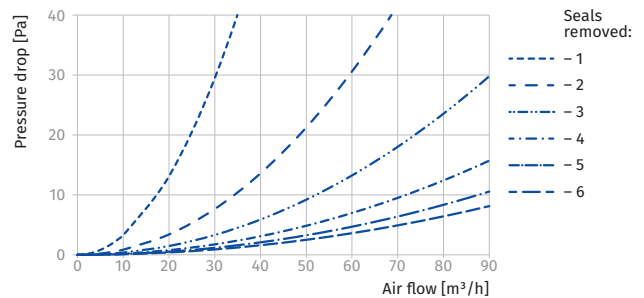
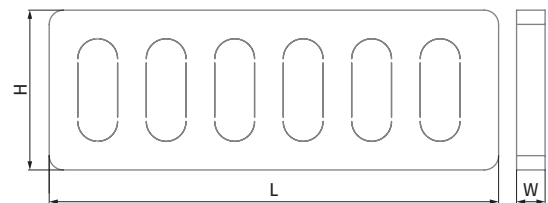
AIR FLOW RESTRICTOR FLEXIVENT 07300x100

Supply or exhaust ventilation systems of residential spaces.
Adjusting the air flow in the duct.



- Inserted into **FlexiVent floor** plenums.
- To adjust the air flow, remove the unnecessary seals.
- Operating temperature: from -20 to +60 °C.

Dimensions [mm]	H	L	W
FlexiVent 07300x100	112	315	20

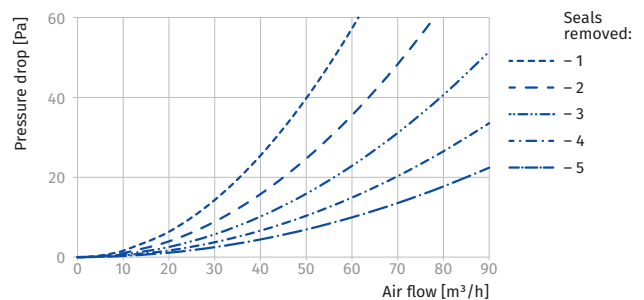


AIR FLOW RESTRICTOR FLEXIVENT 07125

Supply or exhaust ventilation systems of residential spaces.
Adjusting the air flow in the duct.



- Inserted into **FlexiVent** plenums.
- To adjust the airflow, remove the unnecessary seals.
- Operating temperature: from -20 to +60 °C.



ACCESSORIES

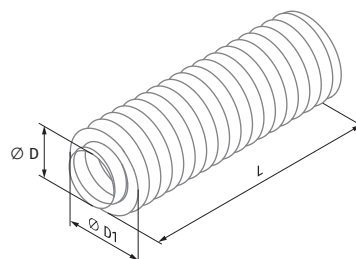
FLEXIBLE INSULATED DUCT ISOVENT N

Supply or exhaust ventilation systems of residential spaces. Connecting air handling units to air distribution boxes.



- The duct is made of aluminum foil and laminated with polyether film.
- The duct is fixed to the spigots using clamps or an ALT 050/10 mounting tape.

Dimensions [mm]	Ø D	Ø D1	L
Isovent N/127/7.6	127	152	7.6
Isovent N/152/7.6	152	177	7.6
Isovent N/162/7.6	162	187	7.6
Isovent N/203/7.6	203	228	7.6



Product item	IsoVent N
Size range [mm]	127; 162; 203
Air duct base	Metallized polyester film (45 µm)
Air duct wire	Steel spring (0.8–1.5 mm thick)
Insulation	Mineral wool (25 mm)
Outer sleeve	Metallized polyester film (45 µm)
Temperature range [°C]	-30...+120
Standard length [m]	7.6
Available lengths (cutting) [m]	7.6
Air speed [m/s]	30
Maximum operating pressure [Pa]	3000

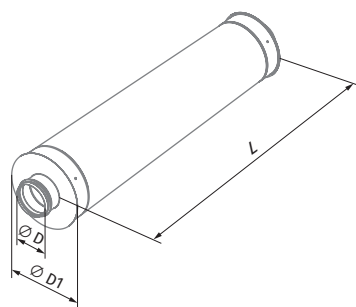
SILENCER SR

Applied for noise absorption produced during the ventilating equipment operation and spread along the ducting systems.



- The galvanized steel casing of the SR silencer is filled with flameproof sound insulating material and equipped with protecting covering against fiber blowing-out.
- The silencers are equipped with connecting flanges with rubber sealing for airtight connection to the air ducts tape.

Dimensions [mm]	Ø D	Ø D1	L
SR 125/900	125	225	900
SR 150/900	149	250	900
SR 160/900	159	252	900
SR 200/900	198	318	900



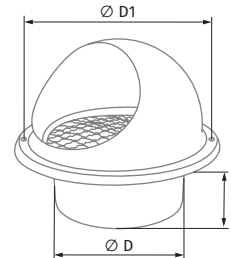
METAL HOOD MVM ... BVS N

Decoration of supply and exhaust ventilation outlets.



- Made of stainless steel.
- Equipped with a protective grid.
- Rubber seals for tight contact to the wall.
- Fixation with screws.

Dimensions [mm]	Cross-sectional area [cm ²]	Ø D	Ø D1	L
MVM 122 bVs N	82	120	165	52
MVM 152 bVs N	126	145	192	62
MVM 162 bVs N	135	155	192	62
MVM 202 bVs N	178	195	253	73



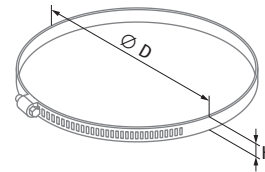
CLAMP C ... Z

Connecting flexible insulated ducts to spigots of air handling units and to air distribution boxes.



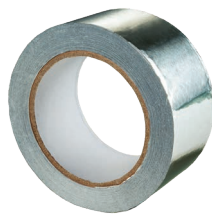
- Made of galvanized steel.

Dimensions [mm]	Ø D	H
C 125 Z	110-130	9
C 150 Z	140-160	9
C 160 Z	150-170	9
C 200 Z	190-210	9



ALUMINIUM MOUNTING TAPE ALT 050/10

Protection against external impacts and sealing of connections of flexible insulated ducts to other system elements.



- Made of aluminium and PET foil covered with glue layer.
- The tape is supplied in rolls and the glue layer is protected with an extra protecting layer.

Dimensions [mm]	ALT 050/10
Length [m]	10
Width L [mm]	50
Total tape thickness [µm]	32
Breaking force	57 N/25 mm ²
Elongation at break [no less %]	3
Adhesiveness	8.25 N/25 mm ²
Temperature of application [°C]	+10...+40
Max. temp. of operating surface [°C]	+100
UV-resistance	+

BUTYL RUBBER SEALING TAPE BLG 050/15

Sealing of duct/flange connection before casting.



- Made of butyl rubber.
- The tape is supplied in rolls and the glue layer is protected with an extra protecting layer.
- Waterproof.

Dimensions [mm]	BLG 050/15
Length [m]	15
Width [mm]	50
Temperature of application [°C]	+5...+30
Operating temperature [°C]	-20...+70



VENTS reserves the rights to modify any of its products' features, designs, components and specifications at any time and without notice to maintain the development and quality of manufactured goods.

2024-04

