

Series
BELIMO
TF24/TF230



■ **Application**

The TF series actuators with actuating torque 2 Nm are designed for controlling air dampers with cross section up to 0.4 m² installed in various ventilation and air conditioning systems and performing protection functions, as freezing protection, smoke detection, etc.

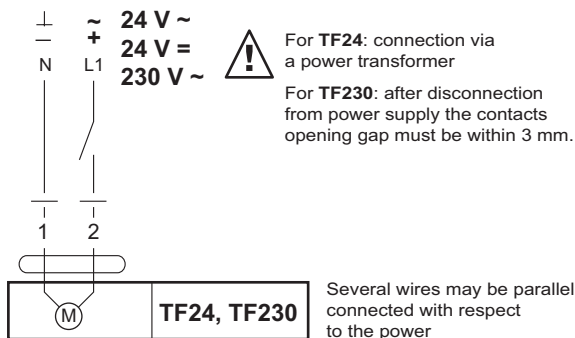
■ **Design**

The actuator moves the damper to its operating position while tensioning the return spring at the same time. In case of power supply cut-off, the damper moves back to its safe position by the spring energy. The actuator is installed directly on the damper axis and locked with a special spindle clamp to prevent its turning-through. The actuator overload protection stops the actuator once it reaches the end positions. The turning angle may be adjusted by a mechanical end stop.

Technical data

	TF24	TF230
Voltage	24 AC 50/60 Hz, 24 DC	230 V~50/60 Hz
Nominal voltage range [V]	19.2...28.8 AC 21.6...28.8 DC	85...265 AC
Rated power [VA]	4 (max. I 5.8 A at t = 5 ms)	4 (max. I 150 mA at t = 10 ms)
Power consumption in operation/at rest [W]	2/1.3	2/ 1.3
Connecting cable	1 m long, 2 x 0.75 mm ²	
Rotation direction	determined by L/R positioning	
Torque (motor/spring) [Nm]	2, nominal voltage/2	
Rotation angle:	max. 95°, adjustable 37...100 % with a mechanical end stop	
Running time (motor/spring) [s]	40...75 (0...2 Nm)/< 25 at -20...50 °C	
Service life	60 000 switching operations	
Ingress protection	IP42	
Electrical protection class	III low voltage II totally insulated	
Operation temperature [°C]	-30...+50	
Storage temperature [°C]	-40...+80	
Ambient humidity	95 %, no condensation	
Noise level (motor/ spring) [dBA]	50 /~62	
Maintenance	not required	
Weight [kg]	0.6	

Wiring diagram



Overall dimensions [mm]

